

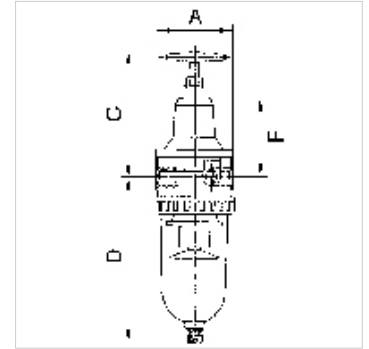
K-FI REGL PC-BEHÄL S H ABL STANDARD

Filter regulators with polycarbonate bowl, bowl guard and semi-automatic drain valve

HANSA FLEX

Omadused

Sisendrõhk	Max. 16 bar (polycarbonate bowl), Max. 25 bar (metal bowl)
Reguleerimisvahemik	0.5 to 10 bar (polycarbonate bowl), 0.5 to 16 bar (metal bowl)
Aine temperatuur	max. 60 °C
Keskonnatemperatuur	Max. 60 °C
Filterelemendi pooride suurus	5 µm (Size 1 / Size 3), 40 µm (Size 2 / Size 4)
Tihendusmaterjal	NBR
Korpus	Die-cast zinc (G1/4 to G1/2), silver painted\ aluminium (G3/4 to G1), silver painted
Läbivoolu väärtuse mõõtmine	At P1 = 8 bar, P2 = 6 bar and pressure drop $\Delta p = 1$ bar



Vihje

Lisaandmed saate soovi korral.

Kirjeldus

Reversible diaphragm pressure regulators, independent of inlet pressure, with selfrelieving design, combined with a centrifugal separator.

Artikkel

Märgistus	Keere	Läbivool (L/min)	A (mm)	C (mm)	D (mm)	DN	F (mm)
K- 07 25 06 68	G 1/4	900	54,0	106,5	129,7	8	62,0
K- 07 25 06 71	G 3/8	900	54,0	106,5	129,7	8	62,0
K- 07 25 06 74	G 3/8	1500	70,0	120,5	145,9	11	76,5
K- 07 25 06 78	G 1/2	3000	82,0	130,0	169,4	14	83,0
K- 07 25 06 81	G 3/4	7000	125,0	190,6	261,4	25	145,0
K- 07 25 06 84	G 1	7000	125,0	190,6	261,4	25	145,0

Varuosad

K-HALTERBAUSATZ STANDARD	Holder
K-SCHUTZKORB G	Protective cage
K-FILTERELEMENT	Filter element
K-VERSCHLEI-SATZ	Set of wearing parts
K-XV AGM MS NI	Double nipples, parallel male thread, nickel-plated brass
K-LOESBARE DOPPELNIPPEL MS	Double nipples
K-ABLASSVENTIL AUTO	Fully-automatic drain valve with Adapter G 1/8
K-AUTOMAT ABLASSVENTIL	Automatic drain valve