

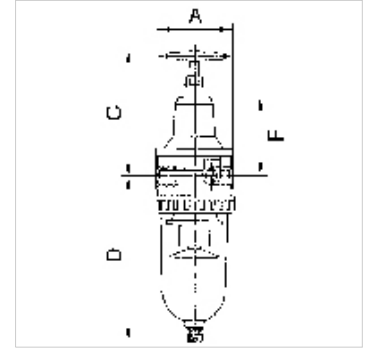
# K-FI REGL METALLBEHÄE M ABLV STANDA

Filter regulators with metal bowl and manual drain valve

**HANSA FLEX**

## Omadused

<b>Sisendrõhk</b>	Max. 16 bar (polycarbonate bowl), Max. 25 bar (metal bowl)
<b>Reguleerimisvahemik</b>	0.5 to 10 bar (polycarbonate bowl), 0.5 to 16 bar (metal bowl)
<b>Aine temperatuur</b>	max. 60 °C
<b>Keskonnatemperatuur</b>	Max. 60 °C
<b>Filterelemendi pooride suurus</b>	5 µm (Size 1 / Size 3), 40 µm (Size 2 / Size 4)
<b>Tihendusmaterjal</b>	NBR
<b>Korpus</b>	Die-cast zinc (G1/4 to G1/2), silver painted/ aluminium (G3/4 to G1), silver painted
<b>Läbivoolu väärtuse mõõtmine</b>	At P1 = 8 bar, P2 = 6 bar and pressure drop $\Delta p = 1$ bar



## Vihje

Lisaandmed saate soovi korral.

## Kirjeldus

Reversible diaphragm pressure regulators, independent of inlet pressure, with selfrelieving design, combined with a centrifugal separator.

## Artikkel

Märgistus	Keere	Läbivool (L/min)	A (mm)	C (mm)	D (mm)	DN	F (mm)
K- 07 25 06 69	G 1/4	900	54,0	106,5	133,5	8	62,0
K- 07 25 06 72	G 3/8	900	54,0	106,5	133,5	8	62,0
K- 07 25 06 75	G 3/8	1500	70,0	120,5	161,0	11	76,5
K- 07 25 06 77	G 1/2	3000	82,0	130,0	172,0	14	83,0
K- 07 25 06 80	G 3/4	7000	125,0	190,6	264,0	25	145,0
K- 07 25 06 83	G 1	7000	125,0	190,6	264,0	25	145,0

## Varuosad

<b>K-HALTERBAUSATZ STANDARD</b>	Holder
<b>K-SCHUTZKORB G</b>	Protective cage
<b>K-FILTERELEMENT</b>	Filter element
<b>K-VERSCHLEI-SATZ</b>	Set of wearing parts
<b>K-XV AGM MS NI</b>	Double nipples, parallel male thread, nickel-plated brass
<b>K-LOESBARE DOPPELNIPPEL MS</b>	Double nipples
<b>K-ABLASSVENTIL AUTO</b>	Fully-automatic drain valve with Adapter G 1/8
<b>K-AUTOMAT ABLASSVENTIL</b>	Automatic drain valve