

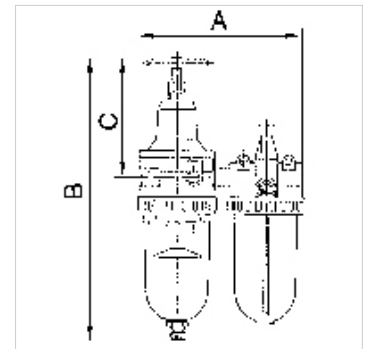
# K-WTEH 2-TLG PC SCHU H ABL STANDARD

Service units with polycarbonate bowl, bowl guard and semi-automatic drain valve

**HANSA FLEX**

## Omadused

<b>Sisendrõhk</b>	Max. 16 bar (polycarbonate bowl / bowl guard), Max. 25 bar (metal bowl)
<b>Reguleerimisvahemik</b>	0.5 to 10 bar (polycarbonate bowl / bowl guard) 0.5 to 16 bar (metal bowl)
<b>Aine temperatuur</b>	max. 60 °C
<b>Keskonnatemperatuur</b>	Max. 60 °C
<b>Filterelemendi pooride suurus</b>	5 µm (Size 1 / Size 3), 40 µm (Size 2 / Size 4)
<b>Tihendusmaterjal</b>	NBR
<b>Korpus</b>	Die-cast zinc / Aluminium, painted silver
<b>Tilgapüüdur</b>	PA (polycarbonate bowl), Zinc-glass-NBR (metal bowl)
<b>Läbivoolu väärtuse mõõtmine</b>	At P1 = 8 bar, P2 = 6 bar and pressure drop $\Delta p = 1$ bar



## Vihje

Lisaandmed saate soovi korral.

## Kirjeldus

Two-piece service units consisting of a reversible diaphragm pressure regulator, independent of inlet pressure, with self-relieving design, combined with a centrifugal separator and a proportional lubricator.

## Artikkel

Märgistus	Keere	Läbivool (L/min)	A (mm)	B	C (mm)	DN	Manomeetri Ø
K- 07 25 14 95	G 1/4	600	117,0	236,2 mm	106,5	6	50
K- 07 25 14 98	G 3/8	600	117,0	236,2 mm	106,5	6	50
K- 07 25 15 01	G 3/8	800	150,0	266,4 mm	120,5	10	63
K- 07 25 15 04	G 1/2	2100	175,0	299,4 mm	130,0	15	63
K- 07 25 15 07	G 3/4	4000	220,0	452,0 mm	190,6	20	63
K- 07 25 15 10	G 1	4000	220,0	452,0 mm	190,6	25	63

## Varuosad

<b>K-HALTERBAUSATZ STANDARD</b>	Holder
<b>K-SCHUTZKORB G</b>	Protective cage
<b>K-VERSCHLEI-SATZ</b>	Set of wearing parts
<b>K-FILTERELEMENT</b>	Filter element
<b>K-TROPFAUFSATZ POLYCARBO</b>	Drip attachment polycarbonate
<b>K-XV AGM MS NI</b>	Double nipples, parallel male thread, nickel-plated brass
<b>K-RD NIPPEL MS NI</b>	Reducing nipples - nickel-plated brass
<b>K-LOESBARE DOPPELNIPPEL MS</b>	Double nipples
<b>K-TROPFAUFSATZ METALL</b>	Drip attachment metal
<b>K-ABLASSVENTIL AUTO</b>	Fully-automatic drain valve with Adapter G 1/8
<b>K-AUTOMAT ABLASSVENTIL</b>	Automatic drain valve