

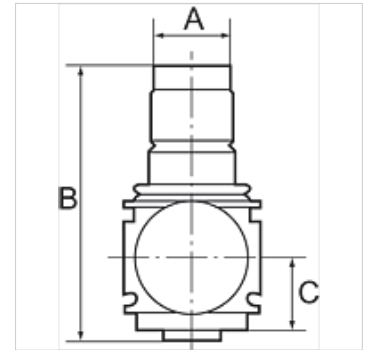
# K-DRG VARIOBLOC

Pressure regulators

**HANSA FLEX**

## Omadused

|                             |   |
|-----------------------------|---|
| Sisendrõhk                  | Max. 25 bar   |
| Aine temperatuur            | max. 50 °C  |
| Keskonnatemperatuur         | Max. 50 °C  |
| Tihendusmaterjal            | NBR   |
| Vedrukate                   | POM   |
| Korpus                      | Die-cast zinc   |
| Membraan                    | NBR   |
| Läbivoolu väärtuse mõõtmine | At P1 = 10 bar, P2 = 6 bar and pressure drop $\Delta p = 1$ bar |



## Vihje

Lisaandmed saate soovi korral.

## Kirjeldus

Reversible diaphragm pressure regulators, independent of inlet pressure, with self-relieving design. The pressure setting can be locked by pushing the knob down. Approved series in modern industrial design, with the following key benefits: Simple handling, Convenient modular assembly thanks to innovative fasteners, Excellent flow values.

## Tellimisinfo

Pressure regulators are also available in lockable version. Please ask for more information.

## Artikkel

| Märgistus      | Keere | Reguleerimisvahemik | Läbivool (L/min) | A (mm) | B        | C (mm) |
|----------------|-------|---------------------|------------------|--------|----------|--------|
| K- 07 25 04 18 | G 1/4 | 0.5 - 6 bar         | 2000             | 48,0   | 98,0 mm  | 26,0   |
| K- 07 25 04 19 | G 1/4 | 0.5 - 10 bar        | 2000             | 48,0   | 98,0 mm  | 26,0   |
| K- 07 25 04 20 | G 1/4 | 0.5 - 16 bar        | 2000             | 48,0   | 98,0 mm  | 26,0   |
| K- 07 25 04 21 | G 3/8 | 0.5 - 6 bar         | 3200             | 48,0   | 98,0 mm  | 26,0   |
| K- 07 25 04 22 | G 3/8 | 0.5 - 10 bar        | 3200             | 48,0   | 98,0 mm  | 26,0   |
| K- 07 25 04 23 | G 3/8 | 0.5 - 16 bar        | 3200             | 48,0   | 98,0 mm  | 26,0   |
| K- 07 25 04 24 | G 1/2 | 0.5 - 6 bar         | 7000             | 70,0   | 134,0 mm | 32,5   |
| K- 07 25 04 25 | G 1/2 | 0.5 - 10 bar        | 7000             | 70,0   | 134,0 mm | 32,5   |
| K- 07 25 04 26 | G 1/2 | 0.5 - 16 bar        | 7000             | 70,0   | 134,0 mm | 32,5   |
| K- 07 25 04 27 | G 3/4 | 0.5 - 6 bar         | 8000             | 70,0   | 134,0 mm | 32,5   |
| K- 07 25 04 28 | G 3/4 | 0.5 - 10 bar        | 8000             | 70,0   | 134,0 mm | 32,5   |
| K- 07 25 04 29 | G 3/4 | 0.5 - 16 bar        | 8000             | 70,0   | 134,0 mm | 32,5   |
| K- 07 25 04 30 | G 1   | 0.5 - 6 bar         | 8000             | 124,0  | 134,0 mm | 32,5   |
| K- 07 25 04 31 | G 1   | 0.5 - 10 bar        | 8000             | 124,0  | 134,0 mm | 32,5   |
| K- 07 25 04 32 | G 1   | 0.5 - 16 bar        | 8000             | 124,0  | 134,0 mm | 32,5   |

## Varuosad

K-VERSCHLEI-SATZ VARIOBLOC Set of wearing parts