

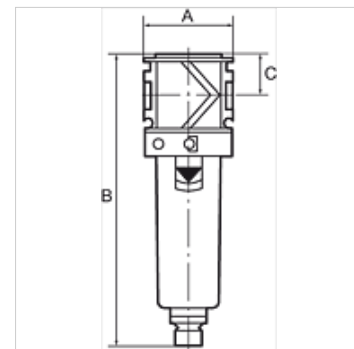
# K-FI PC-BEHAELTER VARIOBLOC

Filters with polycarbonate bowl

**HANSA FLEX**

## Omadused

<b>Sisendrõhk</b>	Max. 16 bar (polycarbonate bowl), Max. 20 bar (metal bowl)
<b>Aine temperatuur</b>	max. 50 °C
<b>Keskkonnatemperatuur</b>	Max. 50 °C (polycarbonate bowl), Max. 80 °C (metal bowl)
<b>Filtrelemendi pooride suurus</b>	40 µm
<b>Tihendusmaterjal</b>	NBR
<b>Korpus</b>	Die-cast zinc
<b>Drain valve</b>	Manual
<b>Läbivoolu väärtuse mõõtmine</b>	At P1 = 6 bar and pressure drop $\Delta p = 1$ bar



## Vihje

Lisaandmed saate soovi korral.

## Kirjeldus

Centrifugal separators with a sintered filter element. Filtration takes place in a 2-stage process comprising cyclone separation (condensate) and a PE filter element (particles). <br>Approved series in modern industrial design, with the following key benefits: Simple handling, Convenient modular assembly thanks to innovative fasteners, Excellent flow values.

## Tellimisinfo

Filters are also available with bowl guard or metal bowl.

## Artikkel

Märgistus	Keere	Läbivool (L/min)	A (mm)	B	C (mm)
K- 07 25 06 25	G 1/4	1800	48,0	155,0 mm	22,0
K- 07 25 06 27	G 3/8	2000	48,0	155,0 mm	22,0
K- 07 25 06 29	G 1/2	3200	70,0	202,0 mm	26,0
K- 07 25 06 31	G 3/4	3500	70,0	202,0 mm	26,0
K- 07 25 06 33	G 1	3500	124,0	202,0 mm	26,0

## Varuosad

<b>K-ERSATZBEHAELTER VARIOBLOC POLY</b>	Spare tank Polycarbonat
<b>K-FILTRELEMENT VARIOBLOC</b>	Filter element
<b>K-ABLASSVENTIL AUTO</b>	Fully-automatic drain valve with Adapter G 1/8