

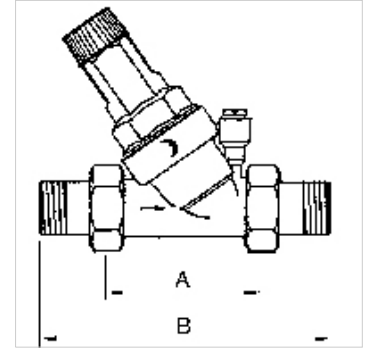
K-DRG SAXONIA M MANO

Pressure regulators

HANSA FLEX

Omadused

| | |
|------------------|--|
| Sisendrõhk | Max. 16 bar |
| Vahendid | Drinking water |
| Töötemperatuur | Max. 30 °C |
| Tihendusmaterjal | NBR |
| Vedrukate | Plastic |
| Korpus | Brass |
| Sõelataas | Plastic, with control dial for back pressure |
| Muud andmed | DVGW Zertifikat |



Vihje

Lisaandmed saate soovi korral.

Kirjeldus

Diaphragm pressure regulators with pressure-reduced single-seated valve and built-in strainer. These pressure regulators, which are independent of inlet pressure, protect domestic water installations against excessive supply pressure. They can also be used for commercial or industrial purposes providing their specification is adequate.

Artikkel

| Märgistus | Keere | DN | Reguleerimisvahemik | Läbivoolu koefitsent (m ³ /h) | A (mm) | B |
|----------------|---------|----|---------------------|--|--------|----------|
| K- 07 25 04 72 | R 3/4 | 20 | 1.5 - 6 bar | 3,4 | 90,0 | 158,0 mm |
| K- 07 25 04 73 | R 1 | 25 | 1.5 - 6 bar | 5,3 | 100,0 | 184,0 mm |
| K- 07 25 04 74 | R 1 1/4 | 32 | 1.5 - 6 bar | 8,6 | 130,0 | 228,0 mm |

Varuosad

| | |
|------------------------|--|
| K-VENTILAUUSTAUSCHSATZ | Valve replacement kit |
| K-ERSATZSIEBE | Replacement strainer |
| K-RMM U STAHL | Standard pressure gauges (sheet steel housing / connection radial on bottom) |