

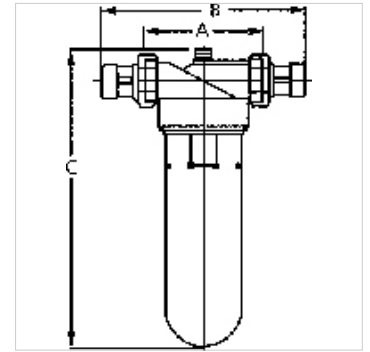
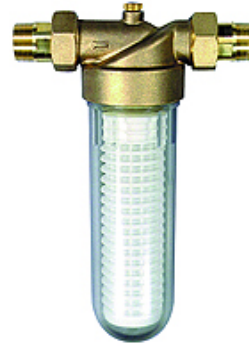
K-FI FEIN BAVARIA

Fine filters

HANSA FLEX

Omadused

Sisendrõhk	Max. 16 bar
Töötemperatuur	Max. 30 °C
Filterelemendi poorde suurus	90 µm
Korpus	Brass
Sõelatass	Special impact-resistant plastic
Muud andmed	DVGW Certificate (K-07250556 and K-07250557 no Certificate)



Vihje

Lisaandmed saate soovi korral.

Kirjeldus

For filtering drinking and domestic water in addition to well, process and cooling water for once-through cooling systems. These filters protect the water pipes and all water-carrying parts of the system on the downstream side against malfunctions and corrosion damage.

Artikkel

Märgistus	Keere	DN	Läbivoolu koefitsent (m ³ /h)	A (mm)	B	C (mm)
K- 07 25 05 53	R 3/4	20	4,0	120,0	206,0 mm	300,0
K- 07 25 05 54	R 1	25	5,5	120,0	206,0 mm	300,0
K- 07 25 05 55	R 1 1/4	32	6,0	120,0	220,0 mm	300,0
K- 07 25 05 56	R 1 1/2	40	9,0	140,0	254,0 mm	290,0
K- 07 25 05 57	R 2	50	12,0	140,0	274,0 mm	290,0

Varuosad

K-FILTEREINSATZ	Filter insert
K-KUNSTSTOFFBEHAELTER	Plastic tank