

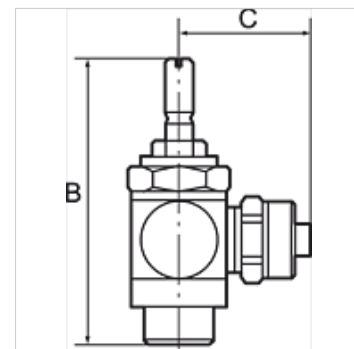
K-DV STECK B RAENDEL

Bidirectional flow control valves, air restriction at both ends (»B«), plug-in connector

HANSA FLEX

Omadused

Töörõhk	max 10 baari
Temperatuuri ulatus	0 °C to +70 °C
Õõneskrüvi, Illgendvare, reguleerimiskrüvi	Nickel-plated brass
Sisedetail	Brass with a bare metal surface
O-rõngas huultihend	NBR
Tihendid (kadumatu)	Polyamide (glass fibre-reinforced)



Vihje

Lisaandmed saate soovi korral.

Kirjeldus

For regulation of a cylinder piston speed at both ends and control of flow rates. Designed as a banjo-type valve with a hollow bolt and ring piece for mounting directly.
On the version with a knurled screw, the set volumetric flow rate can be locked with the hexagon nut to obtain a fixed setting.

Artikkel

Märgistus	C (mm)	Vooliku jaoks	Keere	SW	B (mm)
K- 07 15 04 83	18,6	4 mm	M 5	8 mm	38,9
K- 07 15 04 87	20,6	4 mm	G 1/8	14 mm	42,0
K- 07 15 04 88	22,7	6 mm	G 1/8	14 mm	42,0
K- 07 15 04 89	23,7	8 mm	G 1/8	14 mm	42,0
K- 07 15 04 85	24,2	6 mm	G 1/4	17 mm	51,0
K- 07 15 04 86	24,7	8 mm	G 1/4	17 mm	51,0
K- 07 15 04 84	26,8	10 mm	G 1/4	17 mm	51,0