

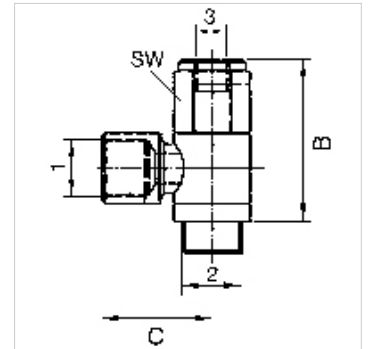
K-HS RD

Unidirectional banjo valves, pneumatic release, port 2 with female thread

HANSA FLEX

Omadused

Töörõhk	0.3 - 10 bar
Juhtimisrõhk	0.5 - 2.5 bar, depending on operating pressure
Aine temperatuur	max. 60 °C
Paigaldusasend	Any. The ring piece must be positioned before the valve is tightened
Materjal	Nikeldatud messing
Tihendusmaterjal	Perbunan



Vihje

Lisaandmed saate soovi korral.

Kirjeldus

For stopping and positioning the cylinder movement: If a control signal is present at port 3 (see drawing), air can flow to and from the cylinder. If no control signal is present, the cylinder exhaust air is shut off by the unidirectional valve.
The cylinder is stopped. Releasable unidirectional valves are screwed directly onto the cylinder instead of the normal pipe connections.

Artikkel

Märgistus	Port 1	Port 2	Ühendus 3	B (mm)	C (mm)
K- 07 15 07 04	G 1/8	G 1/8	M 5	38,0	21,5
K- 07 15 07 03	G 1/4	G 1/4	G 1/8	43,0	25,4
K- 07 15 07 05	G 3/8	G 3/8	G 1/8	46,0	31,6
K- 07 15 07 02	G 1/2	G 1/2	G 1/8	52,0	32,0