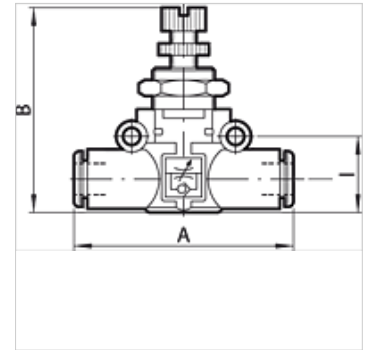
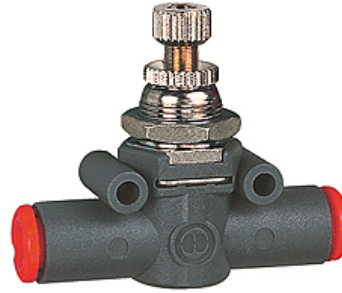


# K-DUFR E SCHL SCHL

Flow regulators, flow at one end, pipe - pipe

**HANSA FLEX**

Omadused	
Töörõhk	max 10 baari
Läbivool 6,3 bar	155 l/min (Ø 4), 450 l/min (Ø 6), 850 l/min (Ø 8)
Läbiv. õhutamine 6,3 bar	160 l/min (Ø 4), 550 l/min (Ø 6), 950 l/min (Ø 8)
Seadistamine	Manual or screwdriver
Temperatuuri ulatus	-20 °C to +60 °C
Korpus	Technopolymer
Sisedetail	nickel-plated brass, brass, technopolymer, stainless steel
Tihendusmaterjal	NBR
Montaaž	Wall mounting (housing with drilled holes) Bracket mounting (mounting bracket available) Panel mounting (with bracket or lock nut)
Sümbol	on the housing



## Vihje

Lisaandmed saate soovi korral.

## Kirjeldus

A carefully selected assortment of products for installation in pneumatic circuits. These small, highly efficient components allow all pneumatic functions to be implemented anywhere in the circuit. The series has an ultramodular design. All components can be installed in parallel, in series, in a mixed parallel / serial configuration. Available as Pipe / pipe connection with two plug connectors Thread / pipe connection, with one plug connector and one nickel-plated brass thread.

## Artikkel

Märgistus	vooliku Ø jaoks (mm)	A (mm)	B (mm)	l (mm)
K- 07 15 05 82	4	42,0	35,0	12,7
K- 07 15 05 83	6	49,4	40,0	14,6
K- 07 15 05 84	8	57,3	49,0	18,7