

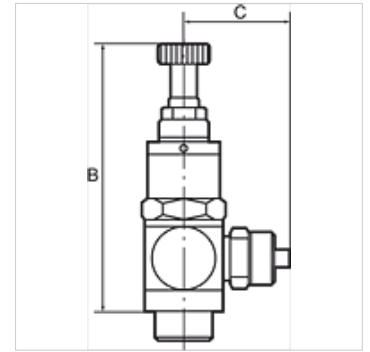
K-KDR STECK

Mini pressure regulators, discharge port on thread, plug-in connector

HANSA FLEX

Omadused

Reguleerimisvahemik	0 - 8 bar
Sisendrõhk	Max. 10 bar
Temperatuuri ulatus	0 °C to +70 °C
Õõneskrüvi, liigendvõre, reguleerimisvõre	Nickel-plated brass
Sisedetail	Brass with a bare metal surface
O-rõngas huultihend	NBR
Tihendid (kadumatu)	Polyamide (glass fibre-reinforced)



Vihje

Lisaandmed saate soovi korral.

Kirjeldus

Piston pressure regulator with self-relieving design, hollow bolt and pivoting ring piece. The regulator is screwed directly into the consumer (e.g. cylinder, handling equipment, etc.). The working pressure can thus be adapted to the specific application.

Artikkel

Märgistus	C (mm)	Vooliku jaoks	Keere	SW	B (mm)
K- 07 25 08 40	19,5	4 mm	G 1/8	15 mm	56,0
K- 07 25 08 41	22,0	6 mm	G 1/8	15 mm	56,0
K- 07 25 08 42	22,5	8 mm	G 1/8	15 mm	56,0
K- 07 25 08 38	23,5	6 mm	G 1/4	17 mm	63,0
K- 07 25 08 39	24,0	8 mm	G 1/4	17 mm	63,0
K- 07 25 08 37	26,5	10 mm	G 1/4	17 mm	63,0