

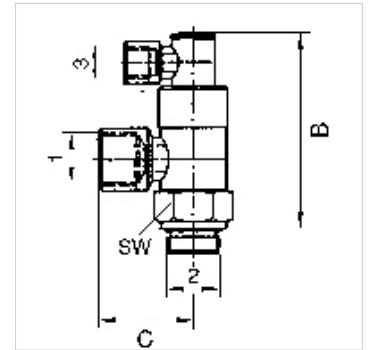
K-STOPPVENTILE IG

Stop valves, ports 2 and 3 with female thread

HANSA FLEX

Omadused

Töörõhk	Max. 10 bar
Juhtimisrõhk	1 - 5 bar, depending on operating pressure
Aine temperatuur	max. 70 °C
Paigaldusasend	Any. Ring pieces can still be rotated 360° after the valve has been tightened
Materjal	Nikeldatud messing
Tihendusmaterjal	Perbunan



Vihje

Lisaandmed saate soovi korral.

Kirjeldus

For high-speed positioning and stop functions as well as emergency switching (e.g. emergency stop). If a control signal is present at port 3, air can flow to and from the cylinder. If no control signal is present, the air flow to and from the cylinder is shut off, causing the cylinder to stop in the required position. Stop valves are screwed directly onto the cylinder instead of the normal pipe connections.

Artikkel

Märgistus	Port 1	Port 2	Ühendus 3	B (mm)	C (mm)
K- 07 15 20 46	G 1/8	G 1/8	G 1/8	52,0	21,0
K- 07 15 20 45	G 1/4	G 1/4	G 1/8	58,0	25,0
K- 07 15 20 47	G 3/8	G 3/8	G 1/8	63,0	31,0
K- 07 15 20 44	G 1/2	G 1/2	G 1/8	72,0	40,0