

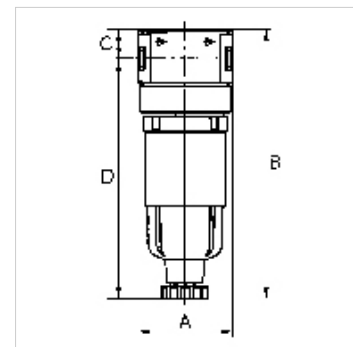
# K-FI AK KOH PC-BEHAEL MULTIFIX MINI

Activated carbon filters with polycarbonate bowl

**HANSA FLEX**

## Omadused

Sisendrõhk	Max. 16 bar
Aine temperatuur	max. 60 °C
Keskonnatemperatuur	Max. 60 °C
Tihendusmaterjal	NBR
Filtrikassett	Activated carbon-POM
Korpus	Die-cast zinc
Drain valve	Semi-automatic
Jääkõli sisaldus	0.005 mg/m <sup>3</sup>
Läbivoolu väärtuse mõõtmine	FA at P1 = 6 bar and pressure drop $\Delta p = 0.2$ bar



## Vihje

If several devices in the »multifix-mini« Series are assembled together, the maximum working pressure is 12 bar.

Lisaandmed saate soovi korral.

## Kirjeldus

Micro-filters for compliance with strict compressed air purity requirements. Suitable for all applications where standard filters do not afford the desired efficiency.

## Artikkel

Märgistus	Keere	Läbivool (L/min)	A (mm)	B	C (mm)	D (mm)	DN	Ehitussuurus
K- 07 25 10 45	G 1/8	310	40,0	107,8 mm	12,3	95,5	5	0
K- 07 25 10 47	G 1/4	380	40,0	122,8 mm	12,3	110,5	5	0

## Varuosad

K-AUTOMAT ABLASSVENTIL	Automatic drain valve
K-KOPPELPAKET MEHR	Coupling packet
K-ERSATZBEHAELTER MULTI MINI	Spare tank »multifix-mini« & »standard-mini«