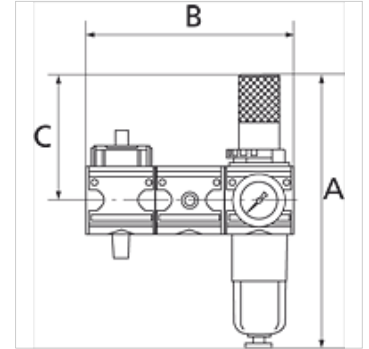


# K-WTST SAFETY BKR SCHA AN FILR MULT

SAFETY service unit sets, comprising a ball valve with silencer, start-up valve and filter regulator with lock cylinder

**HANSA FLEX**

Omadused	
Sisendrõhk	2 - 16 bar
Väljundrõhk	0.5 - 10 bar
Temperatuuri ulatus	Max. 60 °C
Vahendid	Suruõhk
Tihendusmaterjal	NBR
Mahuti	Polycarbonate (with bayonet lock) and bowl guard
Vedrukate	POM
Filterelement	Cellpor (PE) 5 µm
Korpus	Die-cast zinc
Membraan	NBR
Drain valve	Semi-automatic
Läbivoolu väärtuse mõõtmine	At P1 = 8 bar, P2 = 6 bar and pressure drop $\Delta p = 1$ bar
Muud andmed	see data sheets of the individual components (on request)
Õhutust. ühend. Kuulkraan	Silencer



## Kirjeldus

These compressed air service unit sets, comprising a ball valve with silencer, a start-up valve and one out of a pressure regulator, filter regulator or service unit, meet even the strictest requirements for operating reliability and accident prevention!

## Tellimisinfo

The price does not include a padlock. Please order separately. For accessories and spare parts, refer to individual components: ball valve, start-up valve, pressure regulator, filter regulator, 2-piece service unit.

## Artikkel

Märgistus	Keere	Läbivool (L/min)	A (mm)	B	C (mm)	Kondensaadi väljalaskeava
K- 07 25 15 14	G 1/4	1000	219,1	137,8 mm	94,0	Semi-automatic
K- 07 25 15 15	G 1/2	4000	269,3	200,8 mm	122,0	Semi-automatic
K- 07 25 15 16	G 1	12000	410,8	282,8 mm	157,0	Semi-automatic