

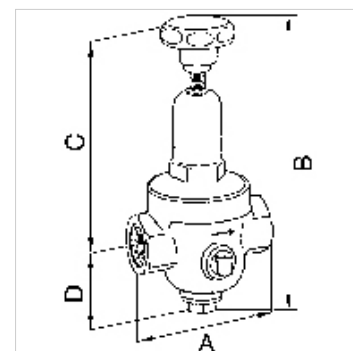
K-DRG DRV 250 NIEDERDRUCK

DRV 250 pressure regulators, low-pressure type

HANSA FLEX

Omadused

Sisendrõhk	Max. 25 bar (Series 200 and 300 Series), Max. 40 bar (400 Series)
Temperatuuri ulatus	Max. 75 °C
Reduktsiooni vahetork	Max. 10:1 (200 Series), Max. 20:1 (300 Series), Max. 6:1 (400 Series)
Tihendusmaterjal	NBR
Vedrukate	Pressed brass up to DN 25, Grey cast iron from DN 32
Korpus	Red brass 2.1096.01



Vihje

Lisaandmed saate soovi korral.

Kirjeldus

Diaphragm pressure regulators with non-self-relieving design and non-pressure-reduced single-seated valve. Very precise adjustment. Good response characteristic because of only a few moving parts which hence minimal friction. Ideal for compressed air, nitrogen and other neutral, non-flammable gases, but only suitable for liquids with comparatively low flow rates.

Tellimisinfo

Tellida on võimalik ka muid mudelid.

Lisateave

Tellida on võimalik ka muid mudelid.

Artikkel

Märgistus	Keere	Reguleerimisvahemik	Läbivoolu koefitsent (m ³ /h)	A (mm)	B	C (mm)	D (mm)
K- 07 25 04 94	G 1/4	0.2 - 2 bar	0,5	70,0	185,5 mm	140,0	45,5
K- 07 25 04 95	G 3/8	0.2 - 2 bar	0,6	70,0	185,5 mm	140,0	45,5
K- 07 25 04 96	G 1/2	0.2 - 2 bar	1,2	85,0	232,5 mm	186,0	46,5

Varuosad

K-VERSCHLEI-SATZ Set of wearing parts