

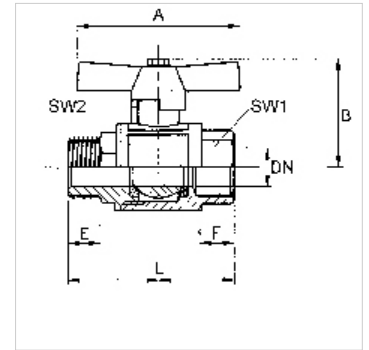
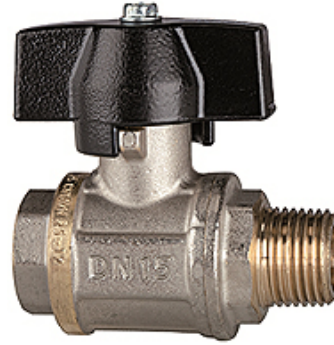
K-BKR DREHGRIF IG AG

Ball valves with wing lever, female/male thread

HANSA FLEX

Omadused

| | |
|-------------------------|--|
| Rakendusvaldkond | Compressed air, water, non-toxic and neutral gases, heating oil (EL),(S), lubricants, dieseloil, water beased coatings |
| Töötemperatuur | -20 °C to +130 °C |
| Keeme kirjeldus | G thread acc. to DIN EN ISO 228-1, R thread acc. to DIN EN 10226 (ISO 7-1) |
| Korpus | Nickel-plated brass |
| Hoob | Alu, painted black |
| Kuul | hardchrome-plated brass |
| Kuuli tihend | PTFE |
| Spindli tihend | PTFE |



Vihje

Lisaandmed saate soovi korral.

Artikkel

| Märgistus | DN | Keere | PN (bar) | A (mm) | B (mm) | E (mm) | F (mm) | L (mm) | SW1 (mm) | SW2 (mm) |
|----------------|----|---------|----------|--------|--------|--------|--------|--------|----------|----------|
| K- 07 30 20 37 | 8 | G/R 1/4 | 80 | 45,0 | 43,0 | 11,0 | 7,0 | 49,0 | 18 | 18 |
| K- 07 30 20 38 | 10 | G/R 3/8 | 80 | 45,0 | 45,5 | 11,0 | 9,0 | 56,0 | 21 | 21 |
| K- 07 30 20 39 | 15 | G/R 1/2 | 80 | 55,0 | 54,5 | 15,0 | 8,0 | 68,0 | 27 | 26 |
| K- 07 30 20 40 | 20 | G/R 3/4 | 80 | 55,0 | 58,5 | 16,0 | 13,0 | 77,0 | 33 | 32 |
| K- 07 30 20 41 | 25 | G/R 1 | 80 | 70,0 | 70,5 | 19,0 | 14,5 | 88,4 | 40 | 39 |