

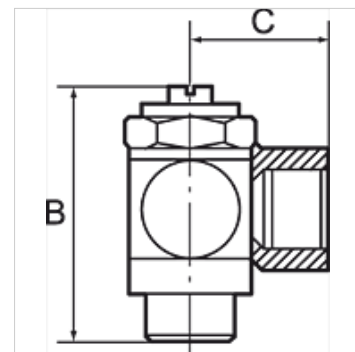
K-DRV ABLD GEW C SCHLITZ

Unidirectional flow control valves, outgoing air restriction (»C«), screw connection

HANSA FLEX

Omadused

Töörõhk	max 10 baari
Temperatuuri ulatus	0 °C to +70 °C
Õõneskrüvi, Illigendvare, reguleerimisvõrvi	Nickel-plated brass
Sisedetail	Brass with a bare metal surface
O-rõngas huultihend	NBR
Tihendid (kadumatu)	Polyamide (glass fibre-reinforced)



Vihje

Lisaandmed saate soovi korral.

Kirjeldus

For fine regulation of a cylinder piston speed and precise control of flow rates. Designed as a banjo-type valve with a hollow bolt and ring piece. Can be screwed directly onto the valve or cylinder. Compact type of construction, also ideal where space is restricted.

Artikkel

Märgistus	Ühendus	C (mm)	Keere	SW	B (mm)
K- 07 15 05 40	M 5 female thread	11,5	M 5	8 mm	24,5
K- 07 15 05 45	G 1/8 female thread	16,0	G 1/8	14 mm	32,0
K- 07 15 05 41	G 1/4 female thread	22,0	G 1/4	17 mm	40,0
K- 07 15 25 24	G 3/8 female thread	26,0	G 3/8	20 mm	50,0
K- 07 15 25 23	G 1/2 female thread	32,0	G 1/2	26 mm	61,0