

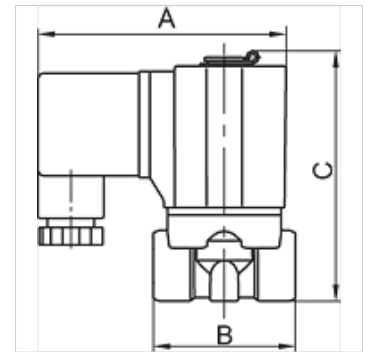
K-MV G (NC) V 230 V, 50 HZ

Normally closed, (NC), pilot-operated, 230 V, 50 Hz

HANSA FLEX

Omadused

Elektriühendus	device socket type A in acc. with ISO 4400 for all valves with threads G 3/8 & G 1/2, except valves type 3 & 4. Device socket
Keeme kirjeldus	G thread acc. DIN EN ISO 228-1
Aine temperatuur	max. 80 °C when using water or oils; max. 90 °C when using with air
Kaitse tüüp	IP 65
max töö rõhk	10 bar
Tihendusmaterjal	FPM
Korpus, klapipesa	Stainless steel 1.4301
Sisedetail	Stainless steel



Vihje

Lisaandmed saate soovi korral.

Kirjeldus

Standard series in two different versions: Directly operated, Pilot-operated

Artikkel

Märgistus	min töö rõhk (bar)	Keere	NW	A (mm)	B (mm)	C (mm)	Ehitustüüp
K- 07 30 01 31	0,50	G 1/2	15,0	70,0	70,0	107,0	3
K- 07 30 01 32	0,50	G 3/4	20,0	70,0	82,0	115,4	3
K- 07 30 01 33	0,50	G 1	25,0	70,0	92,0	124,0	3