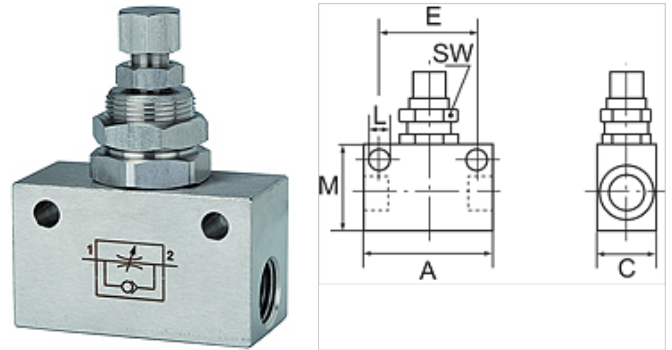


# K-DRV 2

## Unidirectional flow control valves

### Omadused

Töörõhk	max 10 baari
Töötemperatuur	0 °C to +150 °C
Tihendusmaterjal	FKM
Korpus	Stainless steel 1.4404
Sisedetail	Stainless steel 1.4404



### Vihje

Lisaandmed saate soovi korral.

### Kirjeldus

Unidirectional flow control valve, restricted in the flow direction and free passage in the opposite direction.

### Artikkel

Märgistus	Keere	A (mm)	C (mm)	E (mm)	L (mm)	M (mm)	SW (mm)
K- 07 30 12 41	G 1/8	34,0	15,0	24,0	4,5	20,0	14
K- 07 30 12 42	G 1/4	50,0	25,0	35,0	5,5	30,0	22