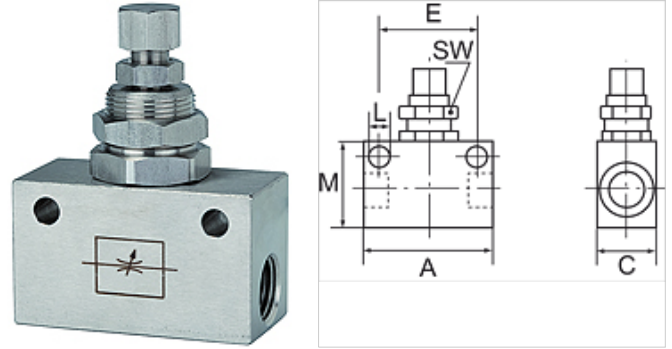


K-DV 2

Bidirectional flow control valves

Omadused

Töörõhk	max 10 baari
Töötemperatuur	0 °C to +150 °C
Sisedetail	Stainless steel 1.4404
Tihendusmaterjal	FKM
Korpus	Stainless steel 1.4404



Vihje

Lisaandmed saate soovi korral.

Kirjeldus

Straight-way valves with restricted flow in both directions.

Artikkel

Märgistus	Keere	A (mm)	C (mm)	E (mm)	L (mm)	M (mm)	SW (mm)
K- 07 30 12 47	G 1/8	34,0	15,0	24,0	4,5	20,0	14
K- 07 30 12 48	G 1/4	50,0	25,0	35,0	5,5	30,0	22