

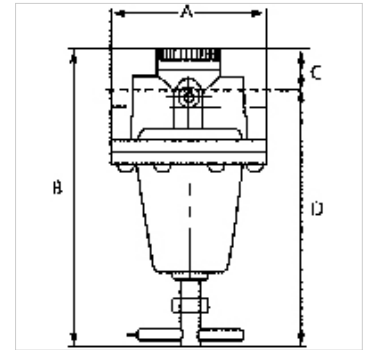
K-HOCHDRUCKREGLER 60 BAR

High-pressure regulators up to 60 bar

HANSA FLEX

Omadused

| | |
|-----------------------------|--|
| Rakendus | Compressed air and other neutral, non-flammable gases |
| Sisendrõhk | Max. 60 bar |
| Töötemperatuur | -10 °C to +90 °C |
| Tihendusmaterjal | NBR |
| Materjal | Messing |
| Läbivoolu väärtuse mõõtmine | At P1 = 20 bar, P2 = 10 bar and pressure drop $\Delta p = 4$ bar |



Vihje

Lisaandmed saate soovi korral.

Kirjeldus

Reversible piston-type pressure regulator, virtually independent of inlet pressure, with self-relieving design, manufactured entirely in brass. Specially designed for high pressures up to 60 bar. Pressure catch with counter nut.

Artikkel

| Märgistus | Keere | Reguleerimisvahemik | Läbivool (L/min) | A (mm) | B | C (mm) | D (mm) |
|----------------|-------|---------------------|------------------|--------|----------|--------|--------|
| K- 07 25 08 19 | G 3/8 | 0.5 - 12 bar | 1400 | 72,0 | 164,0 mm | 31,0 | 133,0 |
| K- 07 25 08 20 | G 3/8 | 1 - 20 bar | 1400 | 72,0 | 164,0 mm | 31,0 | 133,0 |
| K- 07 25 08 21 | G 3/8 | 2 - 35 bar | 1400 | 72,0 | 164,0 mm | 31,0 | 133,0 |
| K- 07 25 08 22 | G 3/8 | 2 - 50 bar | 1400 | 72,0 | 164,0 mm | 31,0 | 133,0 |
| K- 07 25 08 23 | G 1 | 0.5 - 12 bar | 5000 | 118,0 | 257,0 mm | 51,0 | 206,0 |
| K- 07 25 08 24 | G 1 | 1 - 20 bar | 5000 | 118,0 | 257,0 mm | 51,0 | 206,0 |
| K- 07 25 08 25 | G 1 | 2 - 35 bar | 5000 | 118,0 | 257,0 mm | 51,0 | 206,0 |
| K- 07 25 08 26 | G 1 | 3 - 50 bar | 5000 | 118,0 | 257,0 mm | 51,0 | 206,0 |

Lisatarvikud

| | |
|--------------------------|------------------------|
| K-HALTERBAUSATZ | Holder |
| K-SCHALTTAFELBEFESTIGUNG | Switchboard attachment |

Varuosad

| | |
|--------------------|--------------------|
| K-DICHTKEGEL KOMPL | Cone seal complete |
|--------------------|--------------------|