

K-PRAEZIONS STEUERREGLER

Precision pilot regulators (feedback)

HANSA FLEX

Omadused

Sisendrõhk Max. 16 bar

Aine temperatuur max. 80 °C

Keskonnatemperatuur Max. 80 °C

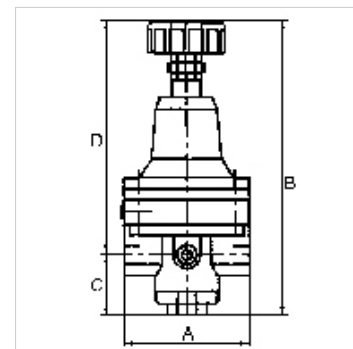
Manomeetri ühendus For feedback pressure

Tihendusmaterjal FKM

Korpus Die-cast zinc

Membraan FKM

Sisemine õhutarve 3 to 6 l/min



Vihje

Lisaandmed saate soovi korral.

Kirjeldus

Diaphragm pressure regulator for feedback systems, specially designed for use in a pneumatically controlled closed control loop in combination with a pressure regulator with pneumatic remote control, e.g. our Art. Nos. K-07250505 to K-07250510.

Artikkel

Märgistus	Keere	Reguleerimisvahemik	A (mm)	B	C (mm)	D (mm)
K- 07 25 05 11	G 1/4	0.2 - 7 bar	82,0	142,8 mm	19,4	123,4

Lisatarvikud

K-HALTERBAUSATZ STANDARD Holder