

K-SCHL-AUFROLLER LU WA S

Hose reels for compressed air and water, heavy-duty type

HANSA FLEX

Omadused

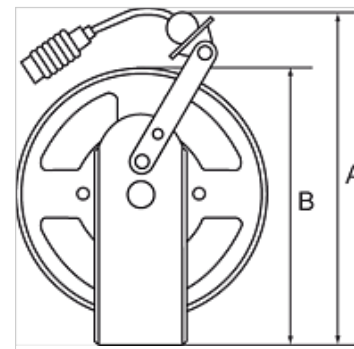
Voolikumaterjal Polyurethane

Töö rõhk max 10 baari

Töötemperatuur -10 °C to +40 °C

Paigaldus Wall, floor or ceiling

Sisend Hose stem 8 mm



Vihje

Lisaandmed saate soovi korral.

Kirjeldus

Heavy-duty steel design for industrial applications. Blue, powder-coated housing. An automatic latching mechanism allows the hose to be engaged at any length. Enclosed spring. Precise locking device for continuous feeding or latching mechanism. Reel guide prevents excessive wear on the hose.

Artikkel

Märgistus	Vooliku mõõt	A (mm)	B (mm)	Vooliku pikkus (m)
K- 07 10 06 24	10 mm x 6,5 mm	420,0	353,0	10
K- 07 10 06 25	10 mm x 6,5 mm	420,0	353,0	20
K- 07 10 06 26	12 mm x 8 mm	420,0	353,0	15
K- 07 10 06 27	16 mm x 11 mm	420,0	353,0	15