

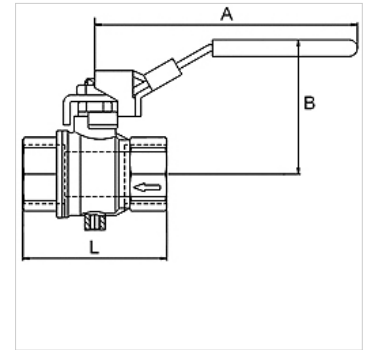
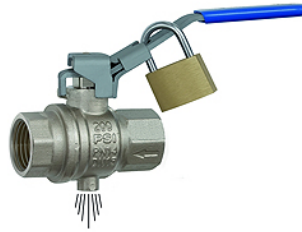
K-S-BKR M ENTL-BOHR ABSCHL

Safety ball valves, lockable, with relief port

HANSA FLEX

Omadused

Töötemperatuur	-10 °C to + 100 °C (depending on operating pressure)
Õhutusava	M 5 (>1": Relief port G 1/4")
Keerme kirjeldus	Rp thread acc. to EN 10226
Korpus	Nickel-plated brass
Käsihoob	Steel - PVC coated
Kuul	hardchrome-plated brass
Kuuli tihend	PTFE
Spindli tihend	PTFE



Vihje

G thread acc. to DIN EN ISO 228-1, with ISO flange plate (acc. to ISO 5211)

Lisaandmed saate soovi korral.

Kirjeldus

2/2-way safety ball valves, two parts, made of nickel-plated brass. Specially designed for pneumatic applications. The valve shuts off the supply line and bleeds the application area. Lockable hand lever in closed position.

Lisateave

The price does not include a padlock. Please order separately.

Artikkel

Märgistus	DN	Keere	PN (bar)	A (mm)	B (mm)	L (mm)
K- 07 30 29 29	8	Rp 1/4	14	96,0	49,0	45,0
K- 07 30 29 30	10	Rp 3/8	14	96,0	49,0	45,0
K- 07 30 29 31	15	Rp 1/2	14	96,0	51,0	59,0
K- 07 30 29 32	20	Rp 3/4	14	117,0	60,0	64,0
K- 07 30 29 33	25	Rp 1	14	117,0	64,0	81,0
K- 07 30 29 34	32	Rp 1 1/4	14	157,0	80,0	93,0
K- 07 30 29 35	40	Rp 1 1/2	14	157,0	86,0	102,0
K- 07 30 29 36	50	Rp 2	14	157,0	93,0	121,0

Lisatarvikud

K-VORHAENGESCHLOSS Padlock