

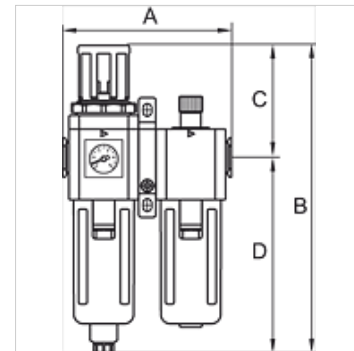
# K-WTEH 2-TLG MET SICH WAND H G

Service units, 2-piece with metal bowl, sight glass and joiner for wall mounting, semi-automatic drain valve

**HANSA FLEX**

## Omadused

Sisendrõhk	Max. 10 bar
Aine temperatuur	max. 70 °C
Keskonnatemperatuur	Max. 70 °C
Filterelemendi pooride suurus	5 µm
Tihendusmaterjal	NBR
Vedrukate	POM
Korpus	Die-cast aluminium
Tilgapüüdur	Brass/POM
Drain valve	Semi- or fully-automatic
Läbivoolu väärtuse mõõtmine	At P1 = 8 bar, P2 = 6 bar and pressure drop $\Delta p = 1$ bar
Muud andmed	User manual on request



## Artikkel

Märgistus	Keere	Reguleerimisvahemik	Läbivool (L/min)	A (mm)	B	C (mm)	D (mm)	Ehitussuurus
K- 07 25 14 05	G 3/4	1.5 - 9 bar	4200	190,0	363,0 mm	144,0	219,0	600
K- 07 25 14 07	G 1	1.5 - 9 bar	4200	190,0	363,0 mm	144,0	219,0	600

## Lisatarvikud

K-VERSCHLEI-SATZ	Set of wearing parts
K-ERSATZMEMBRANE	Replacement diaphragm
K-ADAPTERPLATTEN HANSA	Adapter plate HANSA
K-FILTERELEMENT	Filter element
K-ERSATZBEHAELTER G UND G-MINI POLY	Spare tanks »G« Series and »G-minik« Series Polycarbonat
K-VERBINDUNGELEMENTE	Connecting sets
K-WANDHALTER	Wall bracket