

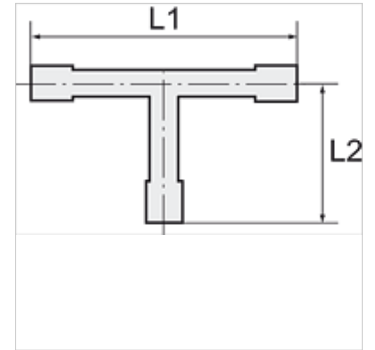
K-T-RED STUTZEN 3 POM

Reducing T push-on connectors, POM

HANSA FLEX

Omadused

Temperatuuri ulatus -40 °C to +90 °C



Vihje

Lisaandmed saate soovi korral.

Kirjeldus

Lightweight tube connectors distinguished by high strength, toughness, resistance to abrasion and impact resistance. Resistant to: Acetone, benzene, benzene, butane, alcohols, diesel fuels, crude oil, natural gas, ethanol, fruit juices, glycerine, fuel oil, hydraulic fluids, aliphatic ketones, carbon dioxide, carbonic acid, engine oils, methanol, propane, liquefied gas, lubricating oils, lubricating greases, town gas, washing liquor and water.

Artikkel

Märgistus	Vooliku jaoks	L1 (mm)	L2 (mm)	max lubatud ülerõhk (bar)
K- 07 40 46 59	LW 3 mm / 4 mm / 3 mm	25,0	17,5	10
K- 07 40 46 60	LW 4 mm / 6 mm / 4 mm	37,0	24,0	10
K- 07 40 46 61	LW 6 mm / 4 mm / 6 mm	49,0	20,5	10
K- 07 40 46 62	LW 8 mm / 4 mm / 8 mm	56,0	22,0	10
K- 07 40 46 63	LW 8 mm / 6 mm / 8 mm	56,0	28,0	10
K- 07 40 46 64	LW 10 mm / 6 mm / 10 mm	62,0	28,0	10
K- 07 40 46 65	LW 10 mm / 8 mm / 10 mm	62,0	31,0	10
K- 07 40 46 66	LW 12 mm / 6 mm / 12 mm	69,0	29,0	10
K- 07 40 46 67	LW 12 mm / 8 mm / 12 mm	69,0	31,0	10
K- 07 40 46 68	LW 12 mm / 10 mm / 12 mm	69,0	33,0	10
K- 07 40 46 69	LW 18 mm / 10 mm / 18 mm	79,0	36,0	10
K- 07 40 46 70	LW 18 mm / 15 mm / 18 mm	80,0	44,0	10