

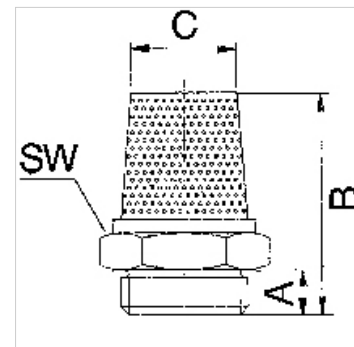
# K-SCHALLDAE SINTERBR S 1

Silencers, sintered bronze, slotted

**HANSA FLEX**

## Omadused

Töörõhk	max 10 baari
Töötemperatuur	-10 °C to +200 °C
Müratase 6 bar	80 ~ 90 dB(A)



## Kirjeldus

For reducing the exhaust noise generated by pneumatic equipment.

## Artikkel

Märgistus	Keere	A (mm)	B (mm)	C (mm)
K- 07 40 35 07	G 1/8	5,5	21,0	8,0
K- 07 40 35 08	G 1/4	8,5	27,0	10,0
K- 07 40 35 09	G 3/8	11,0	36,0	15,0
K- 07 40 35 10	G 1/2	11,0	44,0	19,0