

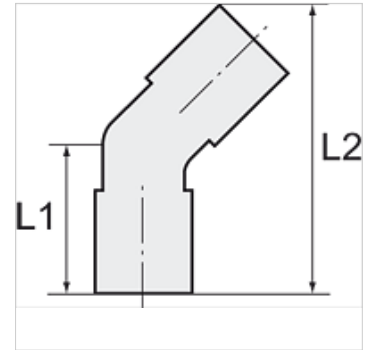
K-STECKVERSCHR 45° DRE AG-K

45° union elbows, swivel type, conical male thread, coated

HANSA FLEX

Omadused

Töörõhk	Max. 15 bar, coarse vacuum
Rakendusvaldkond	Air, vacuum
soovitatud voolikud	PU or PA (nylon)
Vahendid	Compressed air and all gases or liquids that are compatible with the materials
Temperatuuri ulatus	-20 °C to +80 °C
Tihenduspid	Conical version: thread coating
Materjal	Plastic, Nickel plated brass
Surverõngas	Plastic



Vihje

Lisaandmed saate soovi korral.

Kirjeldus

Push-in fittings series manufactured in plastic and nickel-plated brass. All parts are suitable for use with hoses, tubes or pipes made of plastic and copper.

Artikkel

Märgistus	Keere	vooliku välimise-Ø jaoks (mm)	L1 (mm)	L2 (mm)	SW
K- 07 40 04 81	R 1/8	4 mm	22,7	38,5	10 mm
K- 07 40 04 82	R 1/8	6 mm	24,4	42,0	12 mm
K- 07 40 04 83	R 1/8	8 mm	27,6	48,0	14 mm
K- 07 40 04 80	R 1/8	10 mm	30,2	53,6	17 mm
K- 07 40 04 77	R 1/4	4 mm	25,7	41,5	14 mm
K- 07 40 04 78	R 1/4	6 mm	26,9	44,5	14 mm
K- 07 40 04 79	R 1/4	8 mm	29,6	50,0	14 mm
K- 07 40 04 75	R 1/4	10 mm	32,2	55,6	17 mm
K- 07 40 04 76	R 1/4	12 mm	35,2	61,9	21 mm
K- 07 40 04 86	R 3/8	6 mm	28,4	46,0	17 mm
K- 07 40 04 87	R 3/8	8 mm	31,1	51,5	17 mm
K- 07 40 04 84	R 3/8	10 mm	33,2	56,6	17 mm
K- 07 40 04 85	R 3/8	12 mm	36,2	62,9	21 mm
K- 07 40 04 73	R 1/2	6 mm	31,9	49,5	21 mm
K- 07 40 04 74	R 1/2	8 mm	34,6	55,0	21 mm
K- 07 40 04 71	R 1/2	10 mm	36,7	60,1	21 mm
K- 07 40 04 72	R 1/2	12 mm	39,2	65,9	21 mm