

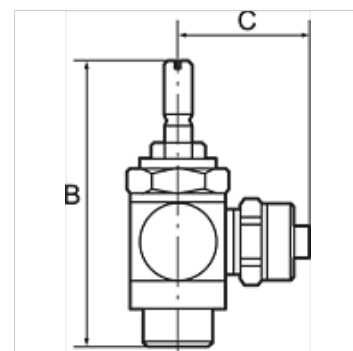
# K-DV GEW B RAENDEL

Bidirectional flow control valves, air restriction at both ends (»B«), screw connection

**HANSA FLEX**

## Omadused

Töörõhk	max 10 baari
Temperatuuri ulatus	0 °C to +70 °C
Õõneskruvi, Illigendvare, reguleerimiskruvi	Nickel-plated brass
Sisedetail	Brass with a bare metal surface
O-rõngas huultihend	NBR
Tihendid (kadumatu)	Polyamide (glass fibre-reinforced)



## Vihje

Lisaandmed saate soovi korral.

## Kirjeldus

For regulation of a cylinder piston speed at both ends and control of flow rates. Designed as a banjo-type valve with a hollow bolt and ring piece for mounting directly. <br>On the version with a knurled screw, the set volumetric flow rate can be locked with the hexagon nut to obtain a fixed setting.

## Artikkel

Märgistus	Ühendus	C (mm)	Keere	SW	B (mm)
K- 07 15 25 16	M 5 female thread	11,5	M 5	8 mm	38,9
K- 07 15 04 97	G 1/8 female thread	16,0	G 1/8	14 mm	42,0
K- 07 15 04 93	G 1/4 female thread	22,0	G 1/4	17 mm	51,0
K- 07 15 25 17	G 1/2 female thread	32,0	G 1/2	26 mm	81,0
K- 07 15 25 18	G 3/8 female thread	26,0	G 3/8	20 mm	63,0