

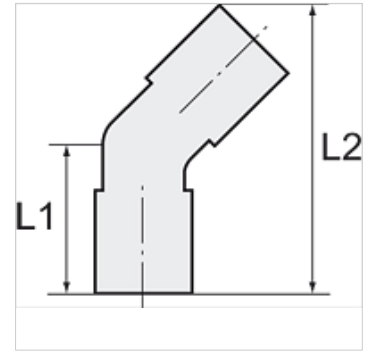
K-STECKNIPPEL 45°

45° elbow connectors with push-in plug

HANSA FLEX

Omadused

Töörõhk	Max. 15 bar, coarse vacuum
Rakendusvaldkond	Air, vacuum
soovitatud voolikud	PU or PA (nylon)
Vahendid	Compressed air and all gases or liquids that are compatible with the materials
Temperatuuri ulatus	-20 °C to +80 °C
Materjal	Plastic, Nickel plated brass
Surverõngas	Plastic



Vihje

Lisaandmed saate soovi korral.

Kirjeldus

Push-in fittings series manufactured in plastic and nickel-plated brass. All parts are suitable for use with hoses, tubes or pipes made of plastic and copper.

Artikkel

Märgistus	vooliku välimise-Ø jaoks (mm)	L1 (mm)	L2 (mm)	Pistiknippel (mm)
K- 07 40 04 88	4 mm	16,2	46,7	4
K- 07 40 04 89	6 mm	17,4	51,2	6
K- 07 40 04 90	8 mm	20,5	60,0	8
K- 07 40 04 91	10 mm	23,1	68,8	10
K- 07 40 04 92	12 mm	26,0	76,1	12