

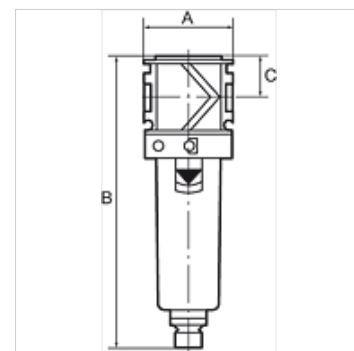
K-FI MIKRO PC-BEHÄEL SCHU VARIOBLOC

Micro-filters with polycarbonate bowl and bowl guard

HANSA FLEX

Omadused

Sisendrõhk	Max. 16 bar (polycarbonate bowl), Max. 20 bar (metal bowl)
Aine temperatuur	max. 50 °C
Keskkonnatemperatuur	Max. 50 °C (polycarbonate bowl), Max. 80 °C (metal bowl)
Filtri peensus	0,01 µm
Õhu kvaliteet standardi ISO 85731 järgi	Class 1 dirt, class 1 oil
Toime	99.999 %
Läbivoolu väärtuse mõõtmise tingimused	At P1 = 7 bar and pressure drop $\Delta p = 0,1$ bar



Vihje

Lisaandmed saate soovi korral.

Kirjeldus

Borosilicate filter for all applications where compliance with strict compressed air purity requirements is vital. As the second stage downstream of the standard filter, the micro-filter removes 99.999 % of even the finest remaining particles from water, oil and dirt with practically zero residues (filter rating: 0.01 µm).

Tellimisinfo

Micro-filters are also available with bowl guard or metal bowl.

Artikkel

Märgistus	Keere	Läbivool (L/min)	A (mm)	B	C (mm)
K- 07 25 22 96	G 1/4	370	48,0	155,0 mm	22,0
K- 07 25 22 95	G 3/8	420	48,0	155,0 mm	22,0
K- 07 25 22 94	G 1/2	1000	70,0	202,0 mm	26,0
K- 07 25 22 93	G 3/4	1100	70,0	202,0 mm	26,0
K- 07 25 22 92	G 1	1100	124,0	202,0 mm	26,0