

# K-KUGELAUSLAUFHAEHNE VA

Bibcocks - Stainless steel

**HANSA FLEX**

## Omadused

**Rakendusvaldkond** Water, gaseous and non-corrosive media, compressed air

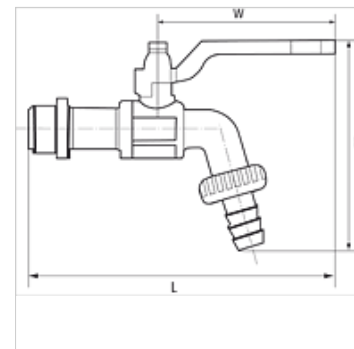
**Töörõhk** 16 bar

**Temperatuuri ulatus** -10 °C to +150 °C

**Tihend** Teflon/NBR

**Korpus** Stainless steel 1.4401

**Materjal** sealing: Teflon/NBR



## Vihje

Lisaandmed saate soovi korral.

## Kirjeldus

With hose connector, thread acc. to ISO 228-1, with lockable hand lever

## Artikkel

Märgistus	DN	Ühendus	PN (bar)	H (mm)	L (mm)	W (mm)
K- 07 30 30 30	12	G 1/2 male	16	91,0	149,0	90,0
K- 07 30 30 32	20	G 3/4 male	16	102,0	156,0	90,0
K- 07 30 30 28	25	G 1 male	16	116,0	145,0	90,0