

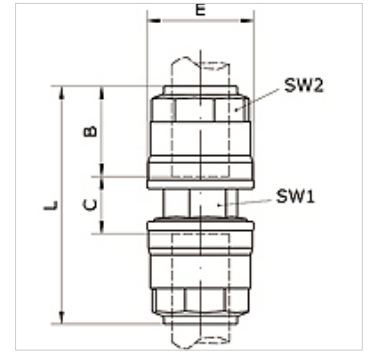
# K-G VB 20-63 INFI

Straight push-in connector Ø 20 mm – Ø 63 mm

**HANSA FLEX**

## Omadused

|                     |                                     |
|---------------------|-------------------------------------|
| Vahendid            | Compressed air, vacuum, inert gases |
| Töö rõhk            | -0,99 bar - 15 bar                  |
| Temperatuuri ulatus | -20 °C to +80 °C                    |
| Tihend              | NBR                                 |
| Korpus              | Nickel-plated brass                 |
| Klemmrõngas         | Stainless steel 1.4301              |
| Mutter              | Nickel-plated brass                 |
| O-rõngas            | NBR                                 |
| Kinnitusrõngas      | Technopolymer                       |



## Artikkel

| Märgistus      | Toru välis-Ø | B<br>(mm) | C<br>(mm) | E<br>(mm) | L<br>(mm) | SW1<br>(mm) | SW2<br>(mm) |
|----------------|--------------|-----------|-----------|-----------|-----------|-------------|-------------|
| K- 07 40 53 50 | 20 mm        | 31,5      | 14,5      | 34,5      | 76,5      | 21          | 30          |
| K- 07 40 53 51 | 25 mm        | 38,5      | 13,5      | 42,5      | 90,5      | 26          | 35          |
| K- 07 40 53 52 | 32 mm        | 46,0      | 14,5      | 52,0      | 106,5     | 32          | 45          |
| K- 07 40 53 53 | 40 mm        | 52,0      | 21,0      | 63,0      | 125,0     | 41          | 55          |
| K- 07 40 53 54 | 50 mm        | 63,5      | 21,5      | 73,0      | 148,5     | 50          | 65          |