

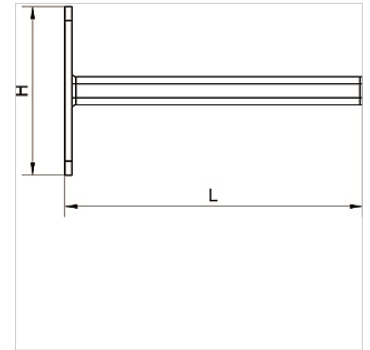
K-KONSOLE STAHL VS INFI

Console made of steel galvanized

HANSA FLEX

Omadused

Materjal Galvanised steel



Artikkel

Märgistus	H (mm)	L (mm)	Pikkus (m)
K- 07 40 54 90	120,0	280,0	0,280