

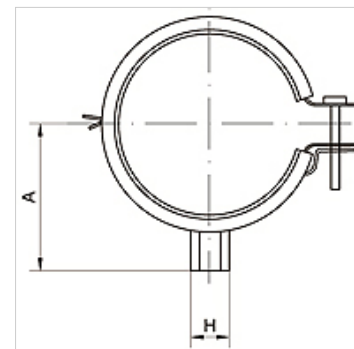
K-SRS STAHL INFI

Pipe clip made of steel

HANSA FLEX

Omadused

Materjal Teras
Polüpropüleen



Artikkel

Märgistus	Toru välimise- \emptyset jaoks (mm)	A (mm)	H
K- 07 40 54 83	20	28,5	M 8 / M 10
K- 07 40 54 84	25	31,0	M 8 / M 10
K- 07 40 54 85	32	34,5	M 8 / M 10
K- 07 40 54 86	40	39,5	M 8 / M 10
K- 07 40 54 87	50	44,0	M 8 / M 10
K- 07 40 54 88	63	51,0	M 8 / M 10
K- 07 40 55 28	80	71,0	M 8 / M 10
K- 07 40 54 89	110	81,5	M 8 / M 10