

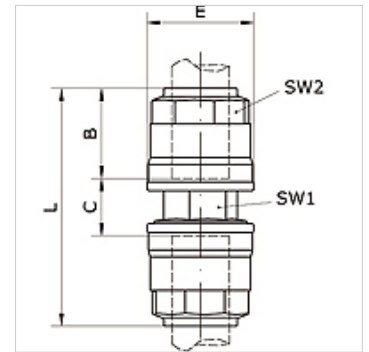
K-STECK VB 20-63 INFI

Straight push-in connector Ø 20 mm – Ø 63 mm

HANSA FLEX

Omadused

| | |
|---------------------|-------------------------------------|
| Vahendid | Compressed air, vacuum, inert gases |
| Töö rõhk | -0,99 bar - 15 bar |
| Temperatuuri ulatus | -20 °C to +80 °C |
| Tihend | NBR |
| Korpus | Aluminium |
| Klemmrõngas | Stainless steel 1.4301 |
| Mutter | Aluminium |
| O-rõngas | NBR |
| Kinnitusrõngas | Technopolymer |



Artikkel

| Märgistus | Toru välis-Ø | B (mm) | C (mm) | E (mm) | L (mm) | SW1 (mm) | SW2 (mm) |
|----------------|--------------|-----------|-----------|-----------|-----------|-------------|-------------|
| K- 07 40 54 97 | 63 mm | 57,5 | 44,0 | 94,0 | 159,0 | 73 | 75 |