

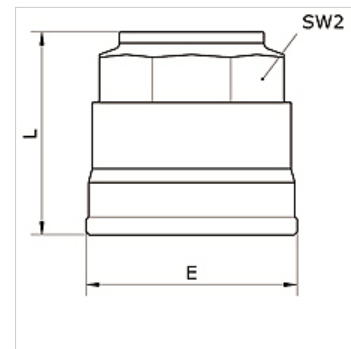
# K-STECK VS 20-50 INFI

press-lock Ø 20 mm – Ø 63 mm

**HANSA FLEX**

## Omadused

Vahendid	Compressed air, vacuum, inert gases
Töörõhk	-0,99 bar - 15 bar
Temperatuuri ulatus	-20 °C to +80 °C
Tihend	NBR
Korpus	Nickel-plated brass
Klemmrõngas	Stainless steel 1.4301
Mutter	Nickel-plated brass
O-rõngas	NBR
Kinnitusrõngas	Technopolymer



## Artikkel

Märgistus	Toru välis-Ø	E (mm)	L (mm)	SW2 (mm)
K- 07 40 54 20	20 mm	34,5	33,0	30
K- 07 40 54 21	25 mm	42,5	39,0	35
K- 07 40 54 22	32 mm	52,0	46,5	45
K- 07 40 54 23	40 mm	63,0	53,0	55
K- 07 40 54 24	50 mm	73,0	62,0	65
K- 07 40 55 04	63 mm	94,0	54,0	75