

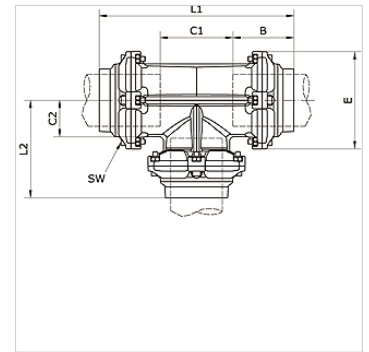
K-T-STECK VB 80-100 INFI

T-push-in connector Ø 80 mm/Ø 110 mm

HANSA FLEX

Omadused

| | |
|---------------------|-------------------------------------|
| Vahendid | Compressed air, vacuum, inert gases |
| Töö rõhk | -0,99 bar - 15 bar |
| Temperatuuri ulatus | -20 °C to +80 °C |
| Juhtrõngas | Technopolymer |
| Korpus | Aluminium, treated surface |
| Kuuskantkruvi | Galvanised steel |
| Klemmrõngas | Stainless steel 1.4301 |
| Mutter | Aluminium, surface treated |
| O-rõngas | NBR |
| Isikinnituv mutter | Galvanised steel |
| Kinnitusrõngas | Technopolymer |



Artikkel

| Märgistus | Toru välis-Ø | B (mm) | C1 (mm) | C2 (mm) | E (mm) | L1 (mm) | L2 (mm) | SW (mm) |
|----------------|--------------------|-----------|------------|------------|-----------|------------|------------|------------|
| K- 07 40 55 16 | 80 - 80 - 80 mm | 91,0 | 109,0 | 54,5 | 145,0 | 291,5 | 138,0 | 6 |
| K- 07 40 54 67 | 110 - 110 - 110 mm | 125,5 | 150,5 | 75,0 | 200,0 | 401,0 | 200,5 | 8 |