

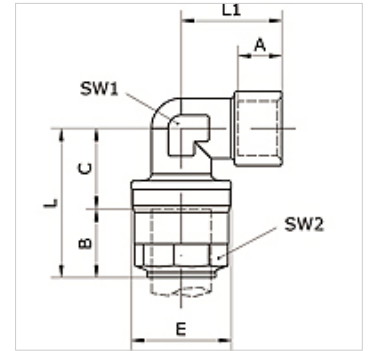
K-W90 STECK IG 20-63 INFI

90°-elbow push-in connector Ø 20 mm – Ø 63 mm with internal thread

HANSA FLEX

Omadused

| | |
|---------------------|-------------------------------------|
| Vahendid | Compressed air, vacuum, inert gases |
| Töörõhk | -0,99 bar - 15 bar |
| Temperatuuri ulatus | -20 °C to +80 °C |
| Tihend | NBR |
| Korpus | Nickel-plated brass |
| Klemmrõngas | Stainless steel 1.4301 |
| Mutter | Nickel-plated brass |
| O-rõngas | NBR |
| Kinnitusrõngas | Technopolymer |



Artikkel

| Märgistus | Toru välis-Ø | Ühendus | A (mm) | B (mm) | C (mm) | E (mm) | L (mm) | L1 (mm) | SW1 (mm) | SW2 (mm) |
|----------------|--------------|---------|-----------|-----------|-----------|-----------|-----------|------------|-------------|-------------|
| K- 07 40 53 74 | 20 mm | G 1/2" | 13,0 | 31,5 | 19,0 | 34,5 | 51,0 | 34,5 | 21 | 30 |
| K- 07 40 53 75 | 25 mm | G 3/4 | 14,5 | 38,5 | 23,0 | 42,5 | 61,5 | 38,5 | 26 | 35 |
| K- 07 40 53 76 | 32 mm | G 1 | 16,5 | 46,0 | 28,0 | 52,0 | 74,5 | 47,5 | 34 | 45 |
| K- 07 40 53 77 | 40 mm | G 1 1/4 | 20,0 | 52,0 | 34,0 | 63,0 | 86,5 | 56,5 | 41 | 55 |
| K- 07 40 53 78 | 50 mm | G 1 1/2 | 22,0 | 63,5 | 40,5 | 73,0 | 104,0 | 64,7 | 50 | 65 |