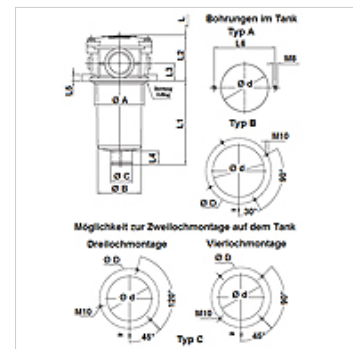


Omadused

Rakendamine	möödaviiguklapiga 1,75 baari, ilma saastumise indikaatorita
Materjal	Tihend: NBR
Töörõhk	maks 8 baari
Komplektis	ilma filtrielemendita



Vihje

Mõõt „L“: vajalik vaba ruum filtrielemendi vahetamiseks

Kirjeldus

Tagasivoolufilter paagikaane sisse paigaldamiseks, mõõte koos puurimisšablooniga vt graafikult.
Connector for clogging indicator G 1/8" closed with bolt

Tellimisinfo

Filtrielemendid ei ole kaasas! Palun tellige eraldi.

Artikkel

Märgistus	filtritüübi	Juhtühendus	Ø A (mm)	Ø B (mm)	Ø C (mm)	Ø d (mm)	L (mm)	L1 (mm)	L2 (mm)	L3 (mm)	L4 (mm)	L5 (mm)	L6 (mm)	Tüüp	Kaal (kg)
FI RL GEH N 024 048 1/2	FI RL 024, 048	G 1/2"	66,0	60,0	32,0	67,0	100,0	86,0	59,0	22,0	19,0	8,0	90,0	A	0,28
FI RL GEH N 053 110 1/2	FI RL 053, 110	G 1/2"	88,0	80,0	38,0	89,0	120,0	100,0	82,0	32,0	24,0	12,0	115,0	A	0,58
FI RL GEH N 053 086 3/4	FI RL 053, 086	G 3/4"	88,0	80,0	38,0	89,0	120,0	100,0	82,0	32,0	24,0	12,0	115,0	A	0,58
FI RL GEH N 053 086 1	FI RL 053, 086	G 1"	88,0	80,0	38,0	89,0	120,0	100,0	82,0	32,0	24,0	12,0	115,0	A	0,58
FI RL GEH N 064 150 3/4	FI RL 064, 150	G 3/4"	88,0	80,0	38,0	89,0	170,0	150,0	80,0	32,0	24,0	12,0	115,0	A	0,60
FI RL GEH N 064 150 1	FI RL 064, 150	G 1"	88,0	80,0	38,0	89,0	170,0	150,0	80,0	32,0	24,0	12,0	115,0	A	0,60
FI RL GEH N 125 225 3/4	FI RL 125, 225	G 3/4"	88,0	80,0	46,5	89,0	250,0	225,0	80,0	32,0	24,0	12,0	115,0	A	0,64
FI RL GEH N 125 225 1	FI RL 125, 225	G 1"	88,0	80,0	46,5	89,0	250,0	225,0	80,0	32,0	24,0	12,0	115,0	A	0,64
FI RL GEH N 190 230 11/4	FI RL 190, 230	G 1,1/4"	129,5	112,0	47,0	131,0	250,0	233,0	91,0	35,0	31,0	13,0	175,0	C	1,41
FI RL GEH N 280 290 11/4	FI RL 280, 290	G 1,1/4"	173,5	150,0	51,0	174,5	200,0	180,0	97,0	38,5	38,0	12,5	220,0	B	2,87
FI RL GEH N 290 370 11/2	FI RL 290, 370	G 1,1/2"	173,5	150,0	51,0	174,5	200,0	180,0	97,0	38,5	38,0	12,5	220,0	B	2,87
FI RL GEH N 290 370 2	FI RL 290, 370	G 2"	173,5	150,0	51,0	174,5	200,0	180,0	97,0	38,5	38,0	12,5	220,0	B	2,87
FI RL GEH N 320 450 11/2	FI RL 320, 450	G 1,1/2"	173,5	150,0	64,0	174,5	250,0	238,0	98,5	38,5	38,0	12,5	220,0	B	2,87
FI RL GEH N 420 540 11/2	FI RL 420, 540	G 1,1/2"	173,5	150,0	64,0	174,5	310,0	290,0	97,0	38,5	38,0	12,5	220,0	B	2,87
FI RL GEH N 540 675 2	FI RL 540, 675	G 2"	173,5	150,0	64,0	174,5	310,0	290,0	97,0	38,5	38,0	12,5	220,0	B	2,87
FI RL GEH N 620 750 2	FI RL 620, 750	G 2"	173,5	150,0	64,0	174,5	450,0	430,0	105,0	48,5	38,0	12,5	220,0	B	4,36
FI RL GEH N 620 750 SAE2	FI RL 620, 750	2" SAE 3000 PSI/M	173,5	150,0	64,0	174,5	450,0	430,0	105,0	48,5	38,0	12,5	220,0	B	4,36

Lisatarvikud

HK VA MAN	Clogging indicator pressure gauge
FI RL RVL	Tagasivoolufiltri torupikendus

on järgnevate toodete varuosad

FI RL	Tagasivoolufilter
--------------	-------------------

Täiendavad elemendid

FI RL E MP	Tagasivoolufiltri MP filtrielement
-------------------	------------------------------------