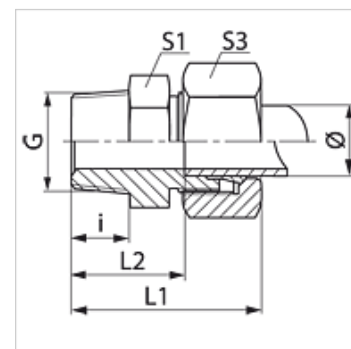


Caractéristiques

| | |
|-----------------------|--|
| Raccord 1 | filet extérieur NPT |
| Étanchéité 1 | à étanchéité par filetage |
| Raccord 2 | filet ext. métrique cylindrique |
| Étanchéité 2 | Cône intérieur 24° |
| Construction | Raccordement fileté |
| Conception | droit |
| Norme | DIN 2353 ISO 8434-1 |
| Fourniture | Manchon avec écrou-raccord et bague coupante |
| Matériau | Acier |
| Traitement de surface | revêtement galvanisé |



Remarque

Veillez vous reporter aux caractéristiques techniques des raccords pour tubes pour de plus amples informations sur le montage, les pressions et températures de service autorisées.

Article

| Désignation | Série | Pression de service en bar | Ø ext. du tube (mm) | G | i (mm) | L1 (mm) | L2 (mm) | S1 | S3 |
|-----------------|-------|----------------------------|---------------------|------------------|--------|---------|---------|----|----|
| VN 04 LL | LL | PN 100 | 4 | 1/8" -27 NPT | 10,0 | 28,0 | 18,0 | 11 | 10 |
| VN 05 LL | LL | PN 100 | 5 | 1/8" -27 NPT | 10,0 | 28,0 | 16,5 | 11 | 12 |
| VN 06 LL | LL | PN 100 | 6 | 1/8" -27 NPT | 10,0 | 28,0 | 16,5 | 11 | 12 |
| VN 08 LL | LL | PN 100 | 8 | 1/8" -27 NPT | 10,0 | 30,0 | 18,5 | 12 | 14 |
| VN NW 04 HL | L | PN 315 | 6 | 1/8" -27 NPT | 10,0 | 32,0 | 17,0 | 12 | 14 |
| VN NW 04 HL 1/4 | L | PN 315 | 6 | 1/4" -18 NPT | 15,0 | 38,0 | 23,0 | 17 | 14 |
| VN NW 04 HL 3/8 | L | PN 315 | 6 | 3/8" -18 NPT | 15,0 | 39,0 | 24,0 | 19 | 14 |
| VN NW 04 HL 1/2 | L | PN 315 | 6 | 1/2" -14 NPT | 20,0 | 44,0 | 29,0 | 24 | 14 |
| VN NW 06 HL 1/8 | L | PN 315 | 8 | 1/8" -27 NPT | 10,0 | 38,0 | 23,0 | 12 | 17 |
| VN NW 06 HL | L | PN 315 | 8 | 1/4" -18 NPT | 15,0 | 38,0 | 23,0 | 17 | 17 |
| VN NW 06 HL 3/8 | L | PN 315 | 8 | 3/8" -18 NPT | 15,5 | 39,0 | 24,0 | 19 | 17 |
| VN NW 06 HL 1/2 | L | PN 315 | 8 | 1/2" -14 NPT | 20,0 | 44,0 | 29,0 | 24 | 17 |
| VN NW 08 HL 1/8 | L | PN 315 | 10 | 1/8" -27 NPT | 15,5 | 39,5 | 25,0 | 17 | 19 |
| VN NW 08 HL | L | PN 315 | 10 | 1/4" -18 NPT | 15,0 | 39,0 | 24,0 | 17 | 19 |
| VN NW 08 HL 3/8 | L | PN 315 | 10 | 3/8" -18 NPT | 15,2 | 40,0 | 25,0 | 19 | 19 |
| VN NW 08 HL 1/2 | L | PN 315 | 10 | 1/2" -14 NPT | 20,0 | 45,0 | 30,0 | 24 | 19 |
| VN NW 10 HL 1/8 | L | PN 315 | 12 | 1/8" -27 NPT | 15,0 | 40,0 | 25,0 | 19 | 22 |
| VN NW 10 HL 1/4 | L | PN 315 | 12 | 1/4" -18 NPT | 15,0 | 40,0 | 25,0 | 19 | 22 |
| VN NW 10 HL | L | PN 315 | 12 | 3/8" -18 NPT | 15,5 | 40,0 | 25,0 | 19 | 22 |
| VN NW 10 HL 1/2 | L | PN 315 | 12 | 1/2" -14 NPT | 20,0 | 45,0 | 30,0 | 24 | 22 |
| VN NW 10 HL 3/4 | L | PN 315 | 12 | 3/4" -14 NPT | 20,0 | 45,0 | 32,0 | 27 | 22 |
| VN NW 13 HL 1/4 | L | PN 315 | 15 | 1/4" -18 NPT | 15,0 | 40,0 | 25,0 | 24 | 22 |
| VN NW 13 HL 3/8 | L | PN 315 | 15 | 3/8" -18 NPT | 15,5 | 41,5 | 26,5 | 24 | 27 |
| VN NW 13 HL | L | PN 315 | 15 | 1/2" -14 NPT | 20,0 | 46,0 | 31,0 | 24 | 27 |
| VN NW 13 HL 3/4 | L | PN 315 | 15 | 3/4" -14 NPT | 20,0 | 46,0 | 32,0 | 27 | 27 |
| VN NW 16 HL 1/4 | L | PN 315 | 18 | 1/4" -18 NPT | 15,0 | 32,0 | 25,0 | 27 | 32 |
| VN NW 16 HL | L | PN 315 | 18 | 1/2" -14 NPT | 20,0 | 48,0 | 31,5 | 27 | 32 |
| VN NW 16 HL 3/4 | L | PN 315 | 18 | 3/4" -14 NPT | 20,0 | 48,5 | 32,0 | 27 | 32 |
| VN NW 20 HL 1/2 | L | PN 160 | 22 | 1/2" -14 NPT | 20,0 | 50,0 | 33,5 | 32 | 36 |
| VN NW 20 HL | L | PN 160 | 22 | 3/4" -14 NPT | 20,0 | 50,0 | 33,5 | 32 | 36 |
| VN NW 25 HL | L | PN 160 | 28 | 1" -11,5 NPT | 25,0 | 56,0 | 39,5 | 41 | 41 |
| VN NW 32 HL 1 | L | PN 160 | 35 | 1" -11,5 NPT | 25,0 | 62,0 | 40,5 | 46 | 50 |
| VN NW 32 HL | L | PN 160 | 35 | 1 1/4" -11,5 NPT | 25,5 | 62,0 | 40,5 | 46 | 50 |
| VN NW 40 HL | L | PN 160 | 42 | 1 1/2" -11,5 NPT | 26,0 | 65,0 | 42,0 | 55 | 60 |
| VN NW 03 HS | S | PN 630 | 6 | 1/4" -18 NPT | 15,0 | 43,0 | 28,0 | 17 | 17 |
| VN NW 03 HS 1/2 | S | PN 630 | 6 | 1/2" -14 NPT | 20,0 | 50,0 | 35,0 | 24 | 17 |
| VN NW 04 HS | S | PN 630 | 8 | 1/4" -18 NPT | 15,0 | 43,0 | 28,0 | 17 | 19 |
| VN NW 04 HS 3/8 | S | PN 630 | 8 | 3/8" -18 NPT | 15,5 | 43,0 | 28,0 | 19 | 19 |
| VN NW 06 HS 1/4 | S | PN 630 | 10 | 1/4" -18 NPT | 15,0 | 44,0 | 27,5 | 19 | 22 |
| VN NW 06 HS | S | PN 630 | 10 | 3/8" -18 NPT | 15,5 | 44,0 | 27,5 | 19 | 22 |



Article

| Désignation | Série | Pression de service en bar | Ø ext. du tube (mm) | G | i (mm) | L1 (mm) | L2 (mm) | S1 | S3 |
|-------------------|-------|----------------------------|---------------------|------------------|--------|---------|---------|----|----|
| VN NW 06 HS 1/2 | S | PN 400 | 10 | 1/2" -14 NPT | 20,0 | 51,0 | 34,5 | 24 | 22 |
| VN NW 08 HS 1/4 | S | PN 630 | 12 | 1/4" -18 NPT | 15,1 | 46,0 | 29,5 | 22 | 24 |
| VN NW 08 HS | S | PN 630 | 12 | 3/8" -18 NPT | 15,5 | 46,0 | 29,5 | 22 | 24 |
| VN NW 08 HS 1/2 | S | PN 630 | 12 | 1/2" -14 NPT | 20,0 | 51,0 | 34,5 | 24 | 24 |
| VN NW 10 HS 3/8 | S | PN 630 | 14 | 3/8" -18 NPT | 15,5 | 54,0 | 36,0 | 24 | 27 |
| VN NW 10 HS | S | PN 630 | 14 | 1/2" -14 NPT | 20,0 | 54,0 | 36,0 | 24 | 27 |
| VN NW 13 HS | S | PN 400 | 16 | 1/2" -14 NPT | 20,0 | 54,0 | 35,5 | 27 | 30 |
| VN NW 13 HS 3/4 | S | PN 400 | 16 | 3/4" -14 NPT | 20,0 | 56,0 | 37,5 | 32 | 30 |
| VN NW 16 HS 1/2 | S | PN 400 | 20 | 1/2" -14 NPT | 20,0 | 59,0 | 37,5 | 32 | 30 |
| VN NW 16 HS | S | PN 400 | 20 | 3/4" -14 NPT | 20,0 | 59,0 | 37,5 | 32 | 36 |
| VN NW 16 HS 1 | S | PN 400 | 20 | 1" -11,5 NPT | 25,0 | 66,0 | 44,5 | 41 | 36 |
| VN NW 20 HS 3/4 | S | PN 400 | 25 | 3/4" -14 NPT | 20,0 | 64,0 | 40,0 | 41 | 46 |
| VN NW 20 HS | S | PN 400 | 25 | 1" -11,5 NPT | 25,0 | 69,0 | 45,0 | 41 | 46 |
| VN NW 20 HS 1 1/4 | S | PN 400 | 25 | 1 1/4" -11,5 NPT | 25,5 | 69,0 | 45,5 | 46 | 46 |
| VN NW 25 HS 1 | S | PN 400 | 30 | 1" -11,5 NPT | 25,0 | 66,5 | 40,0 | 46 | 50 |
| VN NW 25 HS | S | PN 400 | 30 | 1 1/4" -11,5 NPT | 25,5 | 73,0 | 46,5 | 46 | 50 |
| VN NW 32 HS | S | PN 315 | 38 | 1 1/2" -11,5 NPT | 26,0 | 80,0 | 49,0 | 55 | 60 |

Série : LL = très léger L = léger S = lourd - PN = Pression nominale PB = Pression de service max. - Ø = Diamètre extérieur du tube

Gamme de produits

| | |
|-------|---------------------------------------|
| VN MG | Raccordement fileté, Laiton |
| VN VA | Raccordement fileté, Acier inoxydable |
| XVN | Raccordement fileté, Acier |