

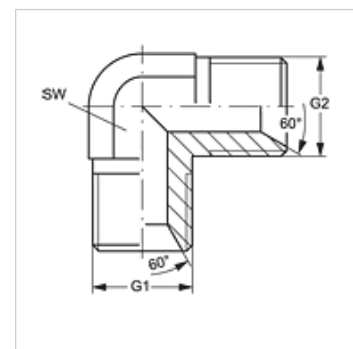
W90 HB

Raccord, coude 90°

HANSA FLEX

Caractéristiques

Raccord 1	Filetage extérieur BSP cylindrique
Étanchéité 1	Cône intérieur 60°
Raccord 2	filet ext. BSP cylindrique
Étanchéité 2	Cône intérieur 60°
Construction	Raccords
Conception	Coude 90°
Matériau	Acier
Traitement de surface	revêtement galvanisé



Article

Désignation	G1	G2	SW (mm)
W90 HB 02	G 1/8" -28	G 1/8" -28	11
W90 HB 04 HB 02	G 1/4" -19	G 1/8" -28	14
W90 HB 04	G 1/4" -19	G 1/4" -19	14
W90 HB 06 HB 04	G 3/8" -19	G 1/4" -19	19
W90 HB 06	G 3/8" -19	G 3/8" -19	19
W90 HB 08 HB 06	G 1/2" -14	G 3/8" -19	22
W90 HB 08	G 1/2" -14	G 1/2" -14	22
W90 HB 10	G 5/8" -14	G 5/8" -14	22
W90 HB 12 HB 08	G 3/4" -14	G 1/2" -14	27
W90 HB 12	G 3/4" -14	G 3/4" -14	27
W90 HB 16 HB 12	G 1" -11	G 3/4" -14	33
W90 HB 16	G 1" -11	G 1" -11	33
W90 HB 20 HB 16	G 1 1/4" -11	G 1" -11	41
W90 HB 20	G 1 1/4" -11	G 1 1/4" -11	41
W90 HB 24	G 1 1/2" -11	G 1 1/2" -11	50
W90 HB 32	G 2" -11	G 2" -11	55

SW = largeur de clé

Gamme de produits

W90 HB VA Corps, coude 90°, Acier inoxydable