

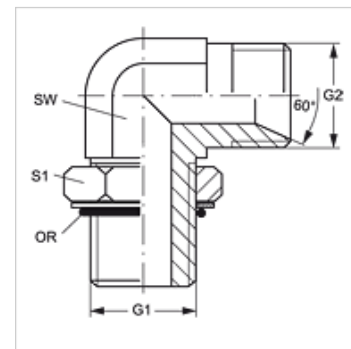
W90 O HB

Manchon fileté, AGR coude 90°

HANSA FLEX

Caractéristiques

| | |
|-----------------------|---|
| Raccord 1 | Filetage extérieur UN/UNF |
| Étanchéité 1 | Étanchéité par joint torique sur manchon fileté |
| Raccord 2 | filet ext. BSP cylindrique |
| Étanchéité 2 | Cône intérieur 60° |
| Construction | Manchon fileté |
| Conception | Coude 90° |
| Matériau | Acier |
| Traitement de surface | revêtement galvanisé |



Article

| Désignation | G1 | G2 | SW (mm) | S1 | Joint torique |
|----------------|----------------|--------------|------------|----|---------------|
| W90 O 04 HB 02 | 7/16" -20 UNF | G 1/8" -28 | 11 | 17 | 8,92 x 1,83 |
| W90 O 04 HB | 7/16" -20 UNF | G 1/4" -19 | 11 | 17 | 8,92 x 1,83 |
| W90 O 04 HB 06 | 7/16" -20 UNF | G 3/8" -19 | 14 | 17 | 8,92 x 1,83 |
| W90 O 05 HB 02 | 1/2" -20 UNF | G 1/8" -28 | 14 | 19 | 10,52 x 1,83 |
| W90 O 05 HB 04 | 1/2" -20 UNF | G 1/4" -19 | 14 | 19 | 10,52 x 1,83 |
| W90 O 06 HB 04 | 9/16" -18 UNF | G 1/4" -19 | 14 | 21 | 11,90 x 1,98 |
| W90 O 06 HB | 9/16" -18 UNF | G 3/8" -19 | 14 | 21 | 11,90 x 1,98 |
| W90 O 08 HB 04 | 3/4" -16 UNF | G 1/4" -19 | 19 | 25 | 16,36 x 2,20 |
| W90 O 08 HB 06 | 3/4" -16 UNF | G 3/8" -19 | 19 | 25 | 16,36 x 2,20 |
| W90 O 08 HB | 3/4" -16 UNF | G 1/2" -14 | 19 | 25 | 16,36 x 2,20 |
| W90 O 08 HB 12 | 3/4" -16 UNF | G 3/4" -14 | 22 | 25 | 16,36 x 2,20 |
| W90 O 10 HB 06 | 7/8" -14 UNF | G 3/8" -19 | 22 | 30 | 19,18 x 2,46 |
| W90 O 10 HB 08 | 7/8" -14 UNF | G 1/2" -14 | 22 | 30 | 19,18 x 2,46 |
| W90 O 10 HB | 7/8" -14 UNF | G 5/8" -14 | 22 | 30 | 19,18 x 2,46 |
| W90 O 10 HB 12 | 7/8" -14 UNF | G 3/4" -14 | 22 | 30 | 19,18 x 2,46 |
| W90 O 12 HB 08 | 1 1/16" -12 UN | G 1/2" -14 | 27 | 36 | 23,47 x 2,95 |
| W90 O 12 HB | 1 1/16" -12 UN | G 3/4" -14 | 27 | 36 | 23,47 x 2,95 |
| W90 O 12 HB 16 | 1 1/16" -12 UN | G 1" -11 | 33 | 36 | 23,47 x 2,95 |
| W90 O 16 HB 12 | 1 5/16" -12 UN | G 3/4" -14 | 33 | 45 | 29,74 x 2,95 |
| W90 O 16 HB | 1 5/16" -12 UN | G 1" -11 | 33 | 45 | 29,74 x 2,95 |
| W90 O 16 HB 20 | 1 5/16" -12 UN | G 1 1/4" -11 | 41 | 45 | 29,74 x 2,95 |
| W90 O 20 HB 16 | 1 5/8" -12 UN | G 1" -11 | 41 | 55 | 37,47 x 3,00 |
| W90 O 20 HB | 1 5/8" -12 UN | G 1 1/4" -11 | 41 | 55 | 37,47 x 3,00 |

SW, S1, S2 = largeur de clé