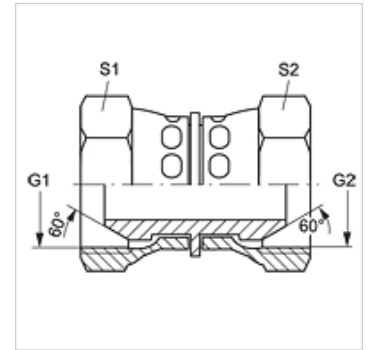


Caractéristiques

| | |
|-----------------------|----------------------|
| Raccord 1 | Filetage femelle BSP |
| Étanchéité 1 | Cône extérieur 60° |
| Raccord 2 | filetage femelle BSP |
| Étanchéité 2 | Cône extérieur 60° |
| Construction | Raccords |
| Conception | droit |
| Matériau | Acier |
| Traitement de surface | revêtement galvanisé |



Article

| Désignation | G1 | G2 | S1 | S2 |
|---------------|--------------|--------------|----|----|
| G AB 02 | G 1/8" -28 | G 1/8" -28 | 14 | 14 |
| G AB 04 AB 02 | G 1/4" -19 | G 1/8" -28 | 19 | 14 |
| G AB 04 | G 1/4" -19 | G 1/4" -19 | 19 | 19 |
| G AB 06 AB 04 | G 3/8" -19 | G 1/4" -19 | 22 | 19 |
| G AB 06 | G 3/8" -19 | G 3/8" -19 | 22 | 22 |
| G AB 08 AB 04 | G 1/2" -14 | G 1/4" -19 | 27 | 19 |
| G AB 08 AB 06 | G 1/2" -14 | G 3/8" -19 | 27 | 22 |
| G AB 08 | G 1/2" -14 | G 1/2" -14 | 27 | 27 |
| G AB 10 AB 06 | G 5/8" -14 | G 3/8" -19 | 30 | 22 |
| G AB 10 AB 08 | G 5/8" -14 | G 1/2" -14 | 30 | 27 |
| G AB 10 | G 5/8" -14 | G 5/8" -14 | 30 | 30 |
| G AB 12 AB 06 | G 3/4" -14 | G 3/8" -19 | 32 | 22 |
| G AB 12 AB 08 | G 3/4" -14 | G 1/2" -14 | 32 | 27 |
| G AB 12 AB 10 | G 3/4" -14 | G 5/8" -14 | 32 | 30 |
| G AB 12 | G 3/4" -14 | G 3/4" -14 | 32 | 32 |
| G AB 16 AB 06 | G 1" -11 | G 3/8" -19 | 41 | 22 |
| G AB 16 AB 08 | G 1" -11 | G 1/2" -14 | 41 | 27 |
| G AB 16 AB 12 | G 1" -11 | G 3/4" -14 | 41 | 32 |
| G AB 16 | G 1" -11 | G 1" -11 | 41 | 41 |
| G AB 20 AB 16 | G 1 1/4" -11 | G 1" -11 | 50 | 41 |
| G AB 20 | G 1 1/4" -11 | G 1 1/4" -11 | 50 | 50 |
| G AB 24 | G 1 1/2" -11 | G 1 1/2" -11 | 60 | 60 |
| G AB 32 | G 2" -11 | G 2" -11 | 70 | 70 |

SW, S1, S2 = largeur de clé

Gamme de produits

G AB VA Raccords, Acier inoxydable