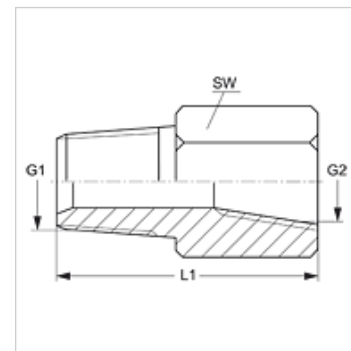


Caractéristiques

Raccord 1	filet extérieur NPT
Étanchéité 1	à étanchéité par filetage
Raccord 2	filet intérieur NPT
Étanchéité 2	étanchéité par filetage
Construction	Corps
Conception	droit
Matériau	Acier
Traitement de surface	revêtement galvanisé



Article

Désignation	G1	G2	SW (mm)
G HN 02 IN	1/8" -27 NPT	1/8" -27 NPT	16
G HN 02 IN 04	1/8" -27 NPT	1/4" -18 NPT	19
G HN 02 IN 06	1/8" -27 NPT	3/8" -18 NPT	22
G HN 02 IN 08	1/8" -27 NPT	1/2" -14 NPT	29
G HN 04 IN 02	1/4" -18 NPT	1/8" -27 NPT	19
G HN 04 IN	1/4" -18 NPT	1/4" -18 NPT	19
G HN 04 IN 06	1/4" -18 NPT	3/8" -18 NPT	22
G HN 04 IN 08	1/4" -18 NPT	1/2" -14 NPT	29
G HN 04 IN 12	1/4" -18 NPT	3/4" -14 NPT	35
G HN 06 IN 02	3/8" -18 NPT	1/8" -27 NPT	22
G HN 06 IN 04	3/8" -18 NPT	1/4" -18 NPT	22
G HN 06 IN	3/8" -18 NPT	3/8" -18 NPT	22
G HN 06 IN 08	3/8" -18 NPT	1/2" -14 NPT	29
G HN 08 IN 02	1/2" -14 NPT	1/8" -27 NPT	29
G HN 08 IN 04	1/2" -14 NPT	1/4" -18 NPT	29
G HN 08 IN 06	1/2" -14 NPT	3/8" -18 NPT	29
G HN 08 IN	1/2" -14 NPT	1/2" -14 NPT	27
G HN 08 IN 12	1/2" -14 NPT	3/4" -14 NPT	35
G HN 08 IN 16	1/2" -14 NPT	1" -11,5 NPT	41
G HN 12 IN 04	3/4" -14 NPT	1/4" -18 NPT	35
G HN 12 IN 06	3/4" -14 NPT	3/8" -18 NPT	35
G HN 12 IN 08	3/4" -14 NPT	1/2" -14 NPT	35
G HN 12 IN	3/4" -14 NPT	3/4" -14 NPT	35
G HN 12 IN 16	3/4" -14 NPT	1" -11,5 NPT	41
G HN 12 IN 20	3/4" -14 NPT	1 1/4" -11,5 NPT	50
G HN 16 IN 04	1" -11,5 NPT	1/4" -18 NPT	42
G HN 16 IN 06	1" -11,5 NPT	3/8" -18 NPT	42
G HN 16 IN 08	1" -11,5 NPT	1/2" -14 NPT	42
G HN 16 IN 12	1" -11,5 NPT	3/4" -14 NPT	42
G HN 16 IN 20	1" -11,5 NPT	1 1/4" -11,5 NPT	48
G HN 20 IN 08	1 1/4" -11,5 NPT	1/2" -14 NPT	64
G HN 20 IN 12	1 1/4" -11,5 NPT	3/4" -14 NPT	46
G HN 20 IN 16	1 1/4" -11,5 NPT	1" -11,5 NPT	46
G HN 20 IN 24	1 1/4" -11,5 NPT	1 1/2" -11,5 NPT	64
G HN 24 IN 16	1 1/2" -11,5 NPT	1" -11,5 NPT	64
G HN 24 IN 20	1 1/2" -11,5 NPT	1 1/4" -11,5 NPT	64
G HN 24 IN 12	1 1/2" -11,5 NPT	3/4" -14 NPT	64
G HN 32 IN 16	2" -11,5 NPT	1" -11,5 NPT	64
G HN 32 IN 20	2" -11,5 NPT	1 1/4" -11,5 NPT	64
G HN 32 IN 24	2" -11,5 NPT	1 1/2" -11,5 NPT	64

SW = largeur de clé

Gamme de produits

G HN IN VA Corps, Acier inoxydable