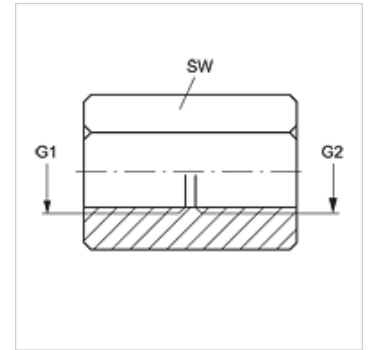
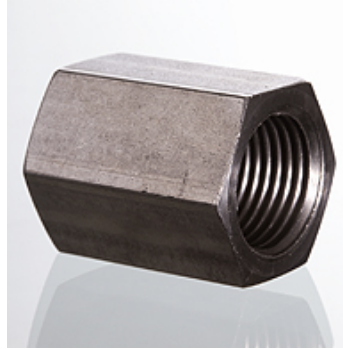


### Caractéristiques

<b>Raccord 1</b>	filet int. BSP cylindrique
<b>Raccord 2</b>	filet int. BSP cylindrique
<b>Construction</b>	Corps
<b>Conception</b>	droit
<b>Matériau</b>	Acier inoxydable



### Article

Désignation	G1	G2	SW (mm)
<b>G 02 IR VA</b>	G 1/8" -28	G 1/8" -28	14
<b>G 04 IR 02 VA</b>	G 1/4" -19	G 1/8" -28	17
<b>G 04 IR VA</b>	G 1/4" -19	G 1/4" -19	17
<b>G 06 IR 04 VA</b>	G 3/8" -19	G 1/4" -19	22
<b>G 06 IR VA</b>	G 3/8" -19	G 3/8" -19	22
<b>G 08 IR 04 VA</b>	G 1/2" -14	G 1/4" -19	27
<b>G 08 IR 06 VA</b>	G 1/2" -14	G 3/8" -19	27
<b>G 08 IR VA</b>	G 1/2" -14	G 1/2" -14	27
<b>G 12 IR 06 VA</b>	G 3/4" -14	G 3/8" -19	32
<b>G 12 IR VA</b>	G 3/4" -14	G 3/4" -14	32
<b>G 16 IR 08 VA</b>	G 1" -11	G 1/2" -14	41
<b>G 16 IR 12 VA</b>	G 1" -11	G 3/4" -14	41
<b>G 16 IR VA</b>	G 1" -11	G 1" -11	41
<b>G 20 IR 16 VA</b>	G 1 1/4" -11	G 1" -11	50
<b>G 20 IR VA</b>	G 1 1/4" -11	G 1 1/4" -11	50
<b>G 24 IR 20 VA</b>	G 1 1/2" -11	G 1 1/4" -11	55
<b>G 24 IR VA</b>	G 1 1/2" -11	G 1 1/2" -11	55
<b>G 32 IR 24 VA</b>	G 2" -11	G 1 1/2" -11	70
<b>G 32 IR VA</b>	G 2" -11	G 2" -11	70

SW = largeur de clé

### Gamme de produits

**G IR** Corps, Acier