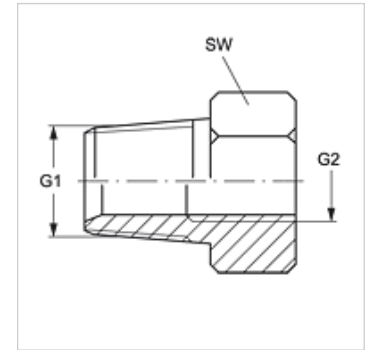


GE HN IR VA

Manchon fileté

Caractéristiques

Raccord 1	filet extérieur NPT
Étanchéité 1	à étanchéité par filetage
Raccord 2	filet int. BSP cylindrique
Étanchéité 2	à garniture plate
Construction	Manchon fileté
Conception	droit
Matériau	Acier inoxydable



Article

Désignation	G1	G2	SW (mm)
GE HN 02 IR VA	1/8" -27 NPT	G 1/8" -28	14
GE HN 02 IR 04 VA	1/8" -27 NPT	G 1/4" -19	19
GE HN 04 IR 02 VA	1/4" -18 NPT	G 1/8" -28	14
GE HN 04 IR VA	1/4" -18 NPT	G 1/4" -19	19
GE HN 04 IR 06 VA	1/4" -18 NPT	G 3/8" -19	24
GE HN 04 IR 08 VA	1/4" -18 NPT	G 1/2" -14	27
GE HN 06 IR 04 VA	3/8" -18 NPT	G 1/4" -19	19
GE HN 06 IR VA	3/8" -18 NPT	G 3/8" -19	24
GE HN 06 IR 08 VA	3/8" -18 NPT	G 1/2" -14	27
GE HN 08 IR 04 VA	1/2" -14 NPT	G 1/4" -19	24
GE HN 08 IR 06 VA	1/2" -14 NPT	G 3/8" -19	24
GE HN 08 IR VA	1/2" -14 NPT	G 1/2" -14	27
GE HN 08 IR 12 VA	1/2" -14 NPT	G 3/4" -14	32
GE HN 12 IR 06 VA	3/4" -14 NPT	G 3/8" -19	27
GE HN 12 IR 08 VA	3/4" -14 NPT	G 1/2" -14	27
GE HN 12 IR VA	3/4" -14 NPT	G 3/4" -14	32
GE HN 12 IR 16 VA	3/4" -14 NPT	G 1" -11	41
GE HN 16 IR 08 VA	1" -11,5 NPT	G 1/2" -14	36
GE HN 16 IR 12VA	1" -11,5 NPT	G 3/4" -14	36
GE HN 16 IR VA	1" -11,5 NPT	G 1" -11	41
GE HN 20 IR VA	1 1/4" -11,5 NPT	G 1 1/4" -11	55
GE HN 24 IR VA	1 1/2" -11,5 NPT	G 1 1/2" -11	55

SW = largeur de clé