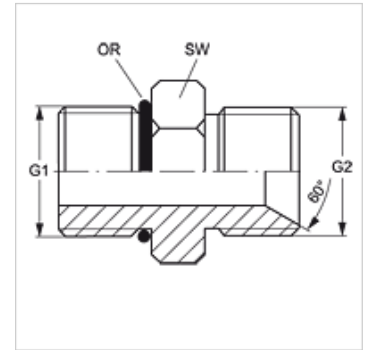


GE HRO HB

Manchon fileté

Caractéristiques

Raccord 1	Filetage extérieur BSP cylindrique
Étanchéité 1	Forme G
Raccord 2	filet ext. BSP cylindrique
Étanchéité 2	Cône intérieur 60°
Construction	Manchon fileté
Conception	droit
Matériau	Acier
Traitement de surface	revêtement galvanisé



Article

Désignation	G1	G2	SW (mm)	Joint torique
GE HRO 02 HB	G 1/8" -28	G 1/8" -28	20	7,65 x 1,78
GE HRO 04 HB 02	G 1/4" -19	G 1/8" -28	20	10,78 x 2,62
GE HRO 04 HB	G 1/4" -19	G 1/4" -19	20	10,78 x 2,62
GE HRO 04 HB 06	G 1/4" -19	G 3/8" -19	24	10,78 x 2,62
GE HRO 06 HB 04	G 3/8" -19	G 1/4" -19	24	13,94 x 2,62
GE HRO 06 HB	G 3/8" -19	G 3/8" -19	24	13,94 x 2,62
GE HRO 06 HB 08	G 3/8" -19	G 1/2" -14	29	13,94 x 2,62
GE HRO 08 HB 06	G 1/2" -14	G 3/8" -19	29	17,86 x 2,62
GE HRO 08 HB	G 1/2" -14	G 1/2" -14	28	17,86 x 2,62
GE HRO 08 HB 10	G 1/2" -14	G 5/8" -14	29	17,86 x 2,62
GE HRO 08 HB 12	G 1/2" -14	G 3/4" -14	29	17,86 x 2,62
GE HRO 12 HB 08	G 3/4" -14	G 1/2" -14	35	23,47 x 2,62
GE HRO 12 HB	G 3/4" -14	G 3/4" -14	35	23,47 x 2,62
GE HRO 12 HB 16	G 3/4" -14	G 1" -11	43	23,47 x 2,62
GE HRO 16 HB 12	G 1" -11	G 3/4" -14	43	29,74 x 3,53
GE HRO 16 HB	G 1" -11	G 1" -11	43	29,74 x 3,53
GE HRO 20 HB 16	G 1 1/4" -11	G 1" -11	53	37,69 x 3,53
GE HRO 20 HB	G 1 1/4" -11	G 1 1/4" -11	53	37,69 x 3,53
GE HRO 24 HB	G 1 1/2" -11	G 1 1/2" -11	58	44,04 x 3,53

SW = largeur de clé