

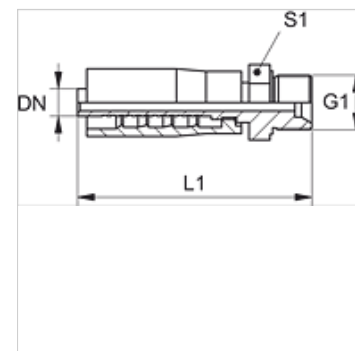
# PAY 300 HB

Accessoire sous pression, AGR

**HANSA FLEX**

## Caractéristiques

<b>Raccord 1</b>	Filetage extérieur BSP cylindrique
<b>Étanchéité 1</b>	Cône intérieur 60°
<b>Abréviation</b>	AGR
<b>Norme</b>	ISO 8434-6 BS 5200
<b>Fourniture</b>	Mamelon à pression + bague de serrage
<b>Matériau</b>	Acier
<b>Traitement de surface</b>	revêtement galvanisé



## Article

Désignation	DN	Dimension	Pouce	G1	L1 (mm)	S1
PAY 306 HB	6	4	1/4"	G 1/4" -19	64,0	17
PAY 308 HB 10	8	5	5/16"	G 3/8" -19	64,0	22
PAY 310 HB	10	6	3/8"	G 3/8" -19	71,0	22
PAY 310 HB 13	10	6	3/8"	G 1/2" -14	76,0	22
PAY 313 HB	12	8	1/2"	G 1/2" -14	79,0	24
PAY 316 HB 20	16	10	5/8"	G 3/4" -14	92,0	32
PAY 320 HB	19	12	3/4"	G 3/4" -14	92,0	32
PAY 320 HB 25	19	12	3/4"	G 1" -11	100,0	36
PAY 325 HB	25	16	1"	G 1" -11	100,0	36
PAY 325 HB 32	25	16	1"	G 1 1/4" -11	103,0	50
PAY 332 HB 40	31	20	1.1/4"	G 1 1/2" -11	118,0	55