

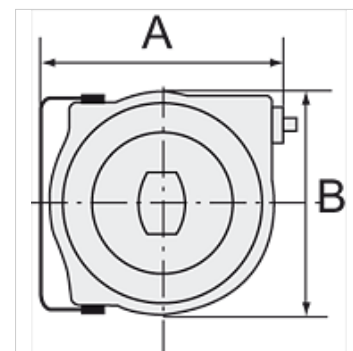
K-SCHL-AUFROLLER LU WA L

Hose reels for compressed air and water, lightweight type

HANSA FLEX

Caractéristiques

Matériau du tuyau	PVC
Pression de service	max. 12 bar (K-07100622); max. 20 bar (K-07100623)
Température de service	max. +60 °C
Embout d'entrée	G 1/4
Angle de pivotement	180°



Remarque

Autres informations sur demande.

Description

High-quality, impact-resistant polypropylene housing. An automatic latching mechanism allows the hose to be engaged at any length. Enclosed spring. Precise locking device for continuous feeding or stop function. Reel guide prevents excessive wear on the hose.

Article

Désignation	Dimension de tuyau	A (mm)	B (mm)	Longueur de tuyau (m)
K- 07 10 06 22	12 mm x 8 mm	340,0	311,0	8
K- 07 10 06 23	12 mm x 6 mm	445,0	400,0	15